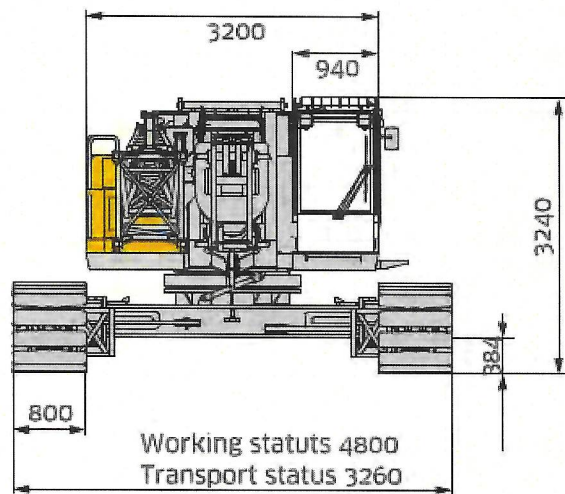
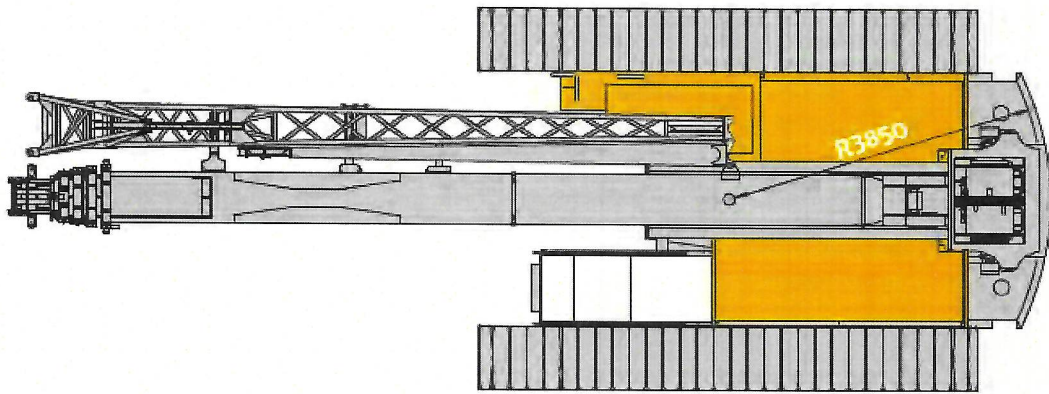
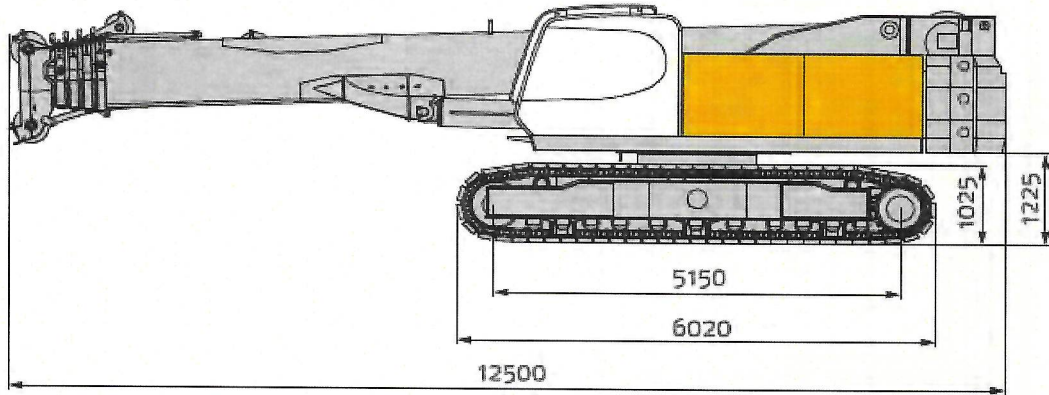




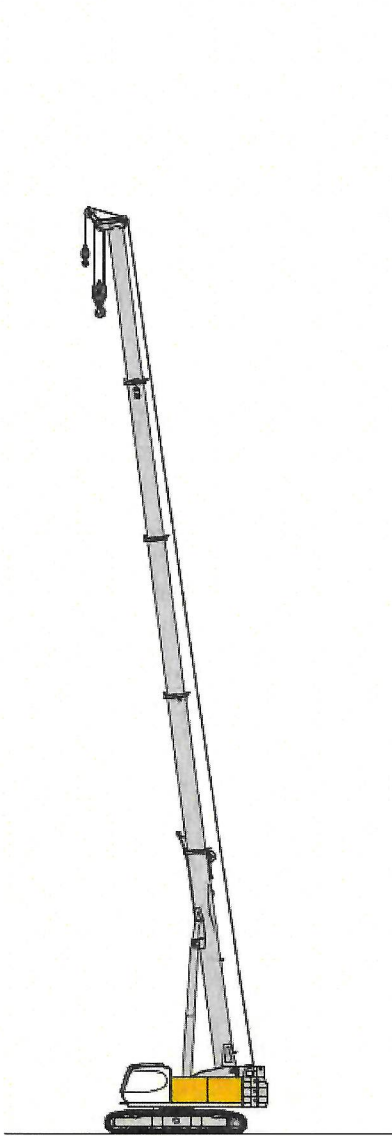
TECHNICAL DATA

Items	Unit	Data
Max. rated lifting capacity	t	70
Boom length	m	38
Boom dericking angle	°	0~83
Jib length	m	8/14(8+6)
Angle between jib and boom	°	0/20/40
Rope speed	m/min	116
Slewing speed	r/min	0~1.96
Travel speed	Km/h	0~1.26/0~2.26
Rope diameter	mm	22
Main/aux. winch rope length	m/m	200/130
Rated single line pull	T(kN)	7.5(73.5)
Gradeability (boom retract, cabin at rear)	%	30
Crane mass	t	70
Overall dimension	mm	12500x3260x3160
Ground bearing pressure	Mpa	0.07

OVERALL DIMENSIONS



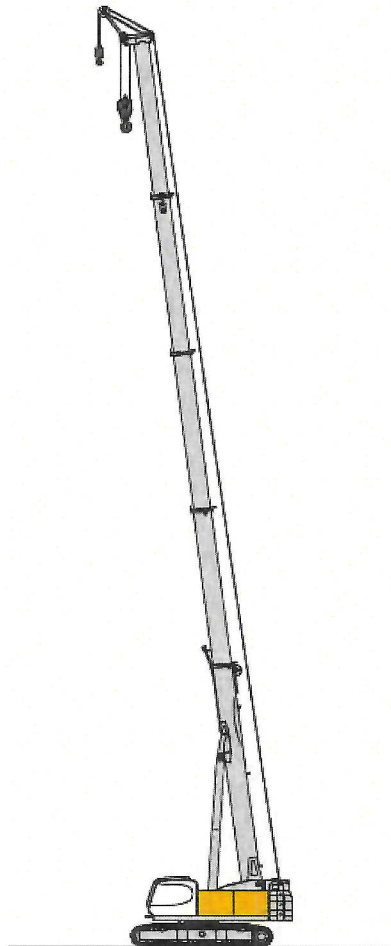
MAIN BOOM & RUNNER CONFIGURATION



Boom

Max. lifting capacity
70t x 3m

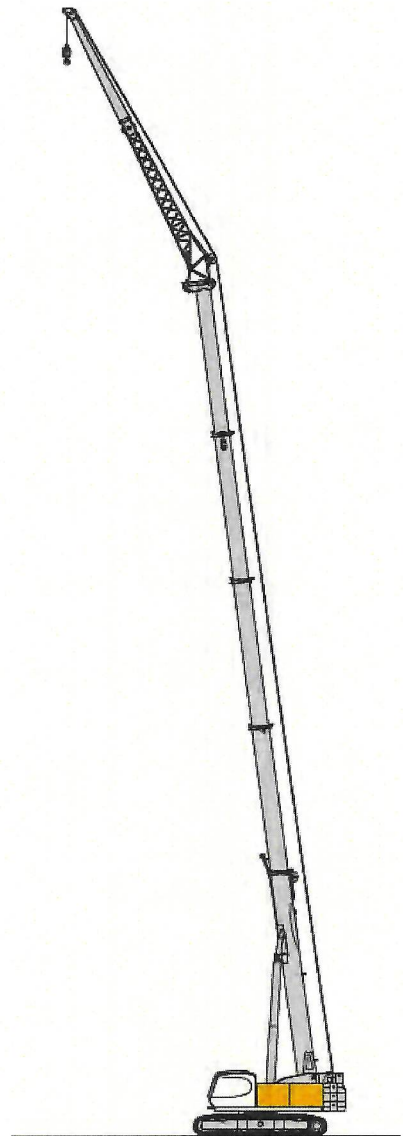
Max. boom combination
38m



Long runner

Max. lifting capacity
7.5t x 14m

Max. boom combination
38 + 2m



Fixed jib

Max. lifting capacity
7.5t x 7m

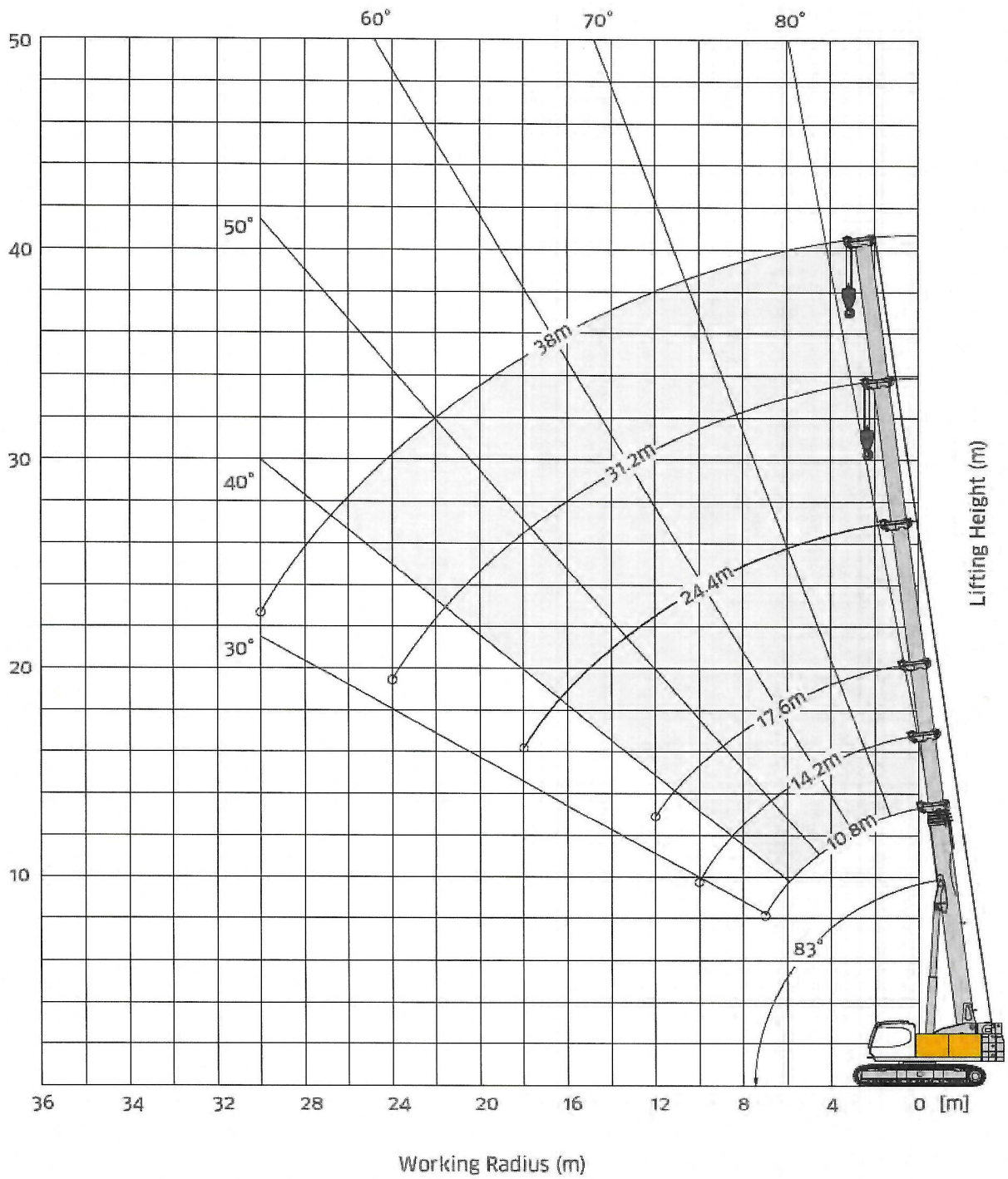
Max. boom combination
38 + 8 + 6m

NOTES | LOAD CHART

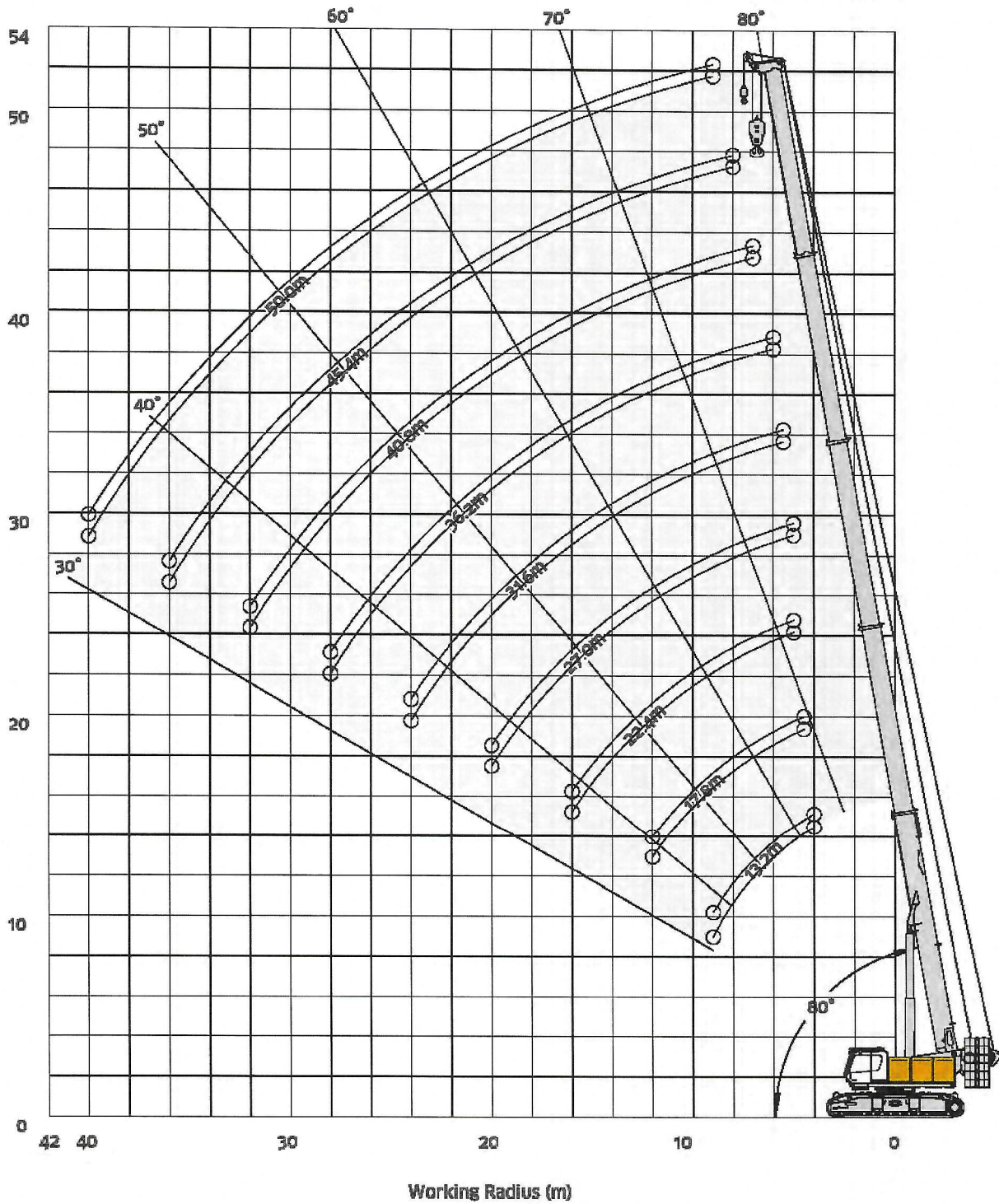
- 1** The load charts are calculated according to EN13000.
- 2** The lifting capacities are for reference only. For actual lifting capacities please refer to the load chart in the cabin or operation manual. The lifting capacities as stated are only valid for lifting activities.
- 3** The rated loads shown are based on the machine on firm horizontal ground level.
- 4** The weights of the lifting accessoires (Hook Blocks, ropes, chains etc.) have to be deducted from the load capacities mentioned.
- 5** The maximum windspeed allowed can be selected within the software of the momentlimiter.
- 6** The radius will be calculated from the center of the machine to the position under the load.
- 7** The lifting capacities apply to 360 degree working.
- 8** Weights mentioned can vary depending on the scope of supply of the specific machine delivered, the content of the tank and the general acceptable tolerances.
- 9** The images in this brochure can show options which are not standard.

Load	No of sheaves	No. lines	Weight
70t	5	10	660kg
9t	0	1	250kg

WORKING RANGE-BOOM



WORKING RANGE-BOOM



BOOM LOAD CHART



10.8m - 38m

Mainboom	Counterweights		Carbody weights			
Load chart	16,2 ton		10 ton			
Lengte/radius	10,8 m	14,2 m	17,6 m	24,4 m	31,2 m	38 m
2,5 m	70*					
3 m	65,0	60,0	42,0	21,9		
3,5 m	58,0	57,5	42,0	21,9	20,8	
4 m	55,9	55,6	41,3	21,9	20,8	
4,5 m	49,5	49,2	39,8	21,9	20,4	14,7
5 m	46,7	42,8	37,7	21,9	20,1	14,7
6 m	35,4	30,7	30,6	21,9	18,6	14,7
7 m	27,5	27,0	23,3	19,9	17,0	14,5
8 m		21,7	18,5	18,1	15,5	13,8
9 m		17,9	17,6	16,5	14,2	12,5
10 m		15,1	14,8	15,3	13,1	11,6
11 m			12,6	13,7	11,9	10,5
12 m			10,8	11,9	11,0	9,5
14 m				9,2	9,1	8,0
16 m				7,3	7,7	6,8
18 m				5,9	6,4	6,3
20 m					5,3	5,4
22 m					4,4	4,7
24 m					3,6	4,0
26 m						3,3
28 m						2,8
30 m						2,4
32 m						

* Special equipment required.

* Preliminary lifting table, may deviate after calculations / adjustments

