

SCX550E

HYDRAULIC CRAWLER CRANE

***Specifications
&
Lifting Capacities***

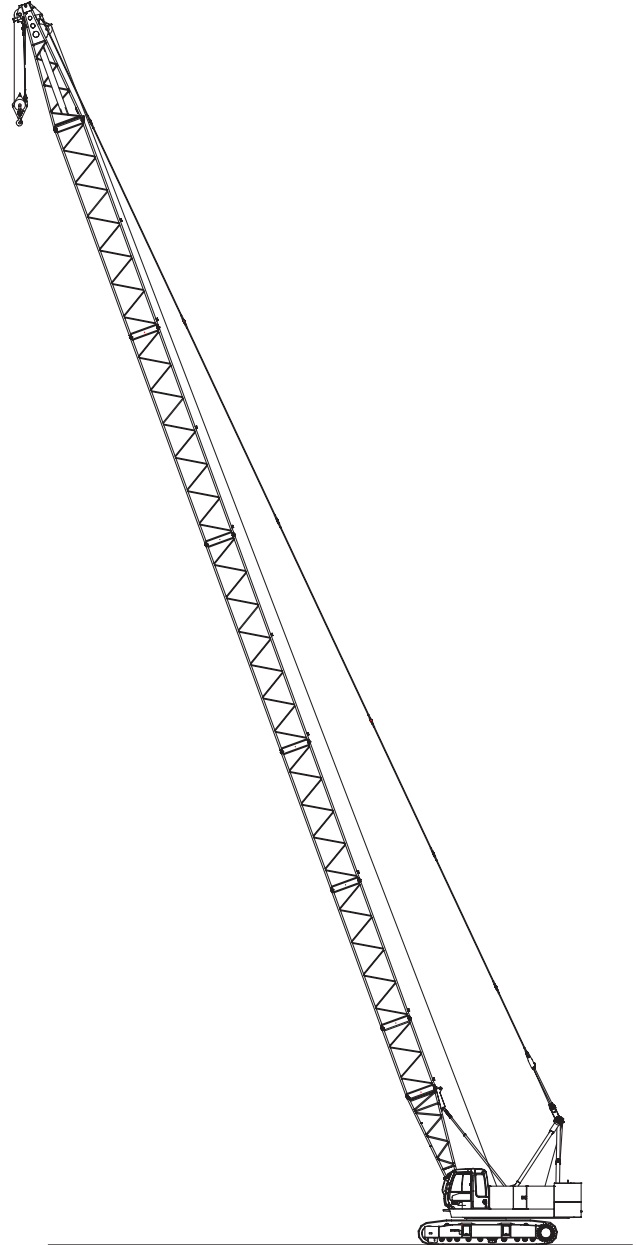
HITACHI SUMITOMO



Variation of The Attachment

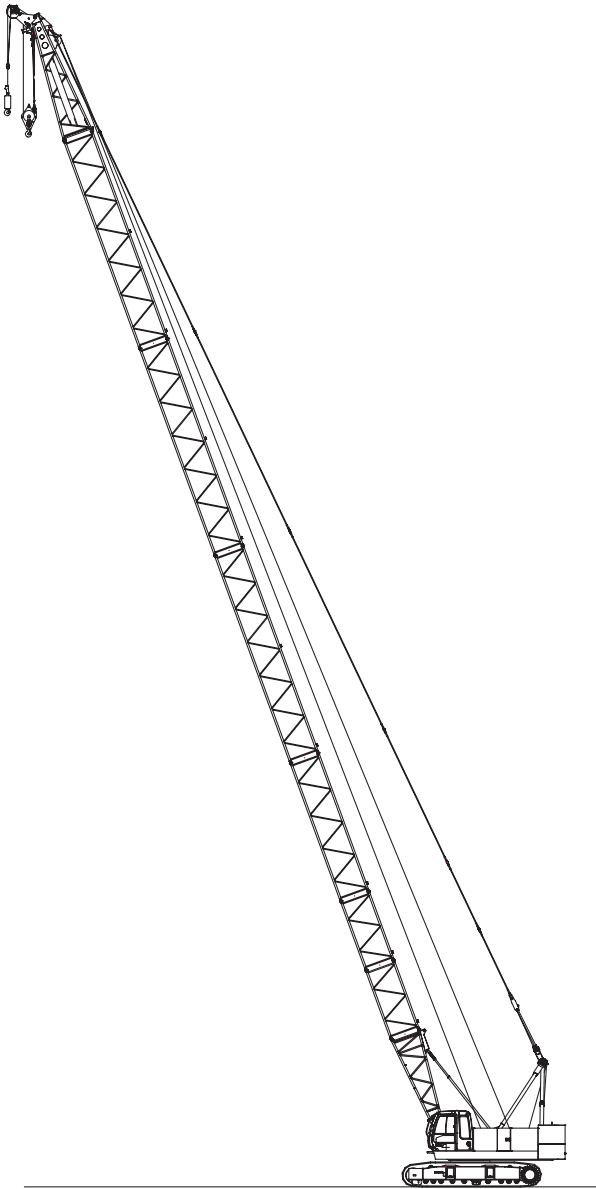
Line Speed *	Front / Rear Winch	m/min	75
	Boom Hoist Winch		62
Swing Speed	min ⁻¹ (rpm)		3.7
Travel Speed *	km/h		1.5
Gradeability	% (Degree)		30 (17)
Engine Model		ISUZU 6HK1 (Stage II, Tier 2)	
Engine Rated Output Power	kW/min ⁻¹ (ps/rpm)		140 / 2000 (190 / 2000)

Note : Speeds marked with "*" may vary depending on load applied.



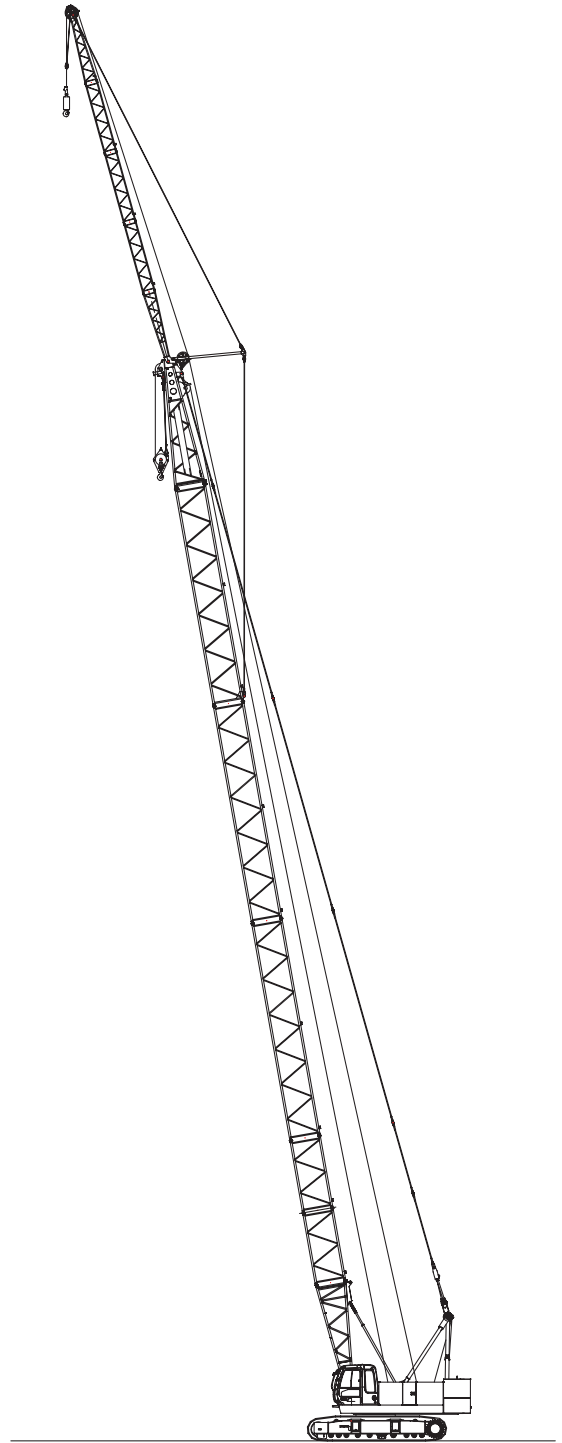
Crane Specification (Boom Longest Length)

Boom Length	m	10 to 52.70
Ground Contact Pressure	kPa (kgf/cm ²)	69.9 (0.71) (Boom longest length with 15 t hook)
Overall Operating Weight	t	Approximately 52.5 (Boom longest length with 15 t hook)



**Crane Specification
(Boom Longest Length with Aux. Sheave)**

Boom Length	m	13.05 to 49.65
Ground Contact Pressure	kPa (kgf/cm ²)	70.6 (0.72) (Boom longest length + aux. sheave, 15 t + 6.5 t hook attached)
Overall Operating Weight	t	Approximately 53.0 (Boom longest length + aux. sheave, 15 t + 6.5 t hook attached)



**Crane Specification
(Boom Longest Length with Crane Jib)**

Boom Length	m	22.20 to 43.55
Crane Jib Length	m	6 to 15
Boom + Crane Jib Longest Length	m	43.55 + 15
Ground Contact Pressure	kPa (kgf/cm ²)	71.0 (0.72) (Boom + crane jib longest length, 15 t + 6.5 t hook attached)
Overall Operating Weight	t	Approximately 53.3 (Boom + crane jib longest length, 15 t + 6.5 t hook attached)

VARIATION

Variation of The Attachment	2
------------------------------------	----------

SPECIFICATIONS

Specifications	6
-----------------------	----------

Crane Specifications	7
-----------------------------	----------

Dimensions and Specifications.....	7
------------------------------------	---

Boom and Crane Jib Configurations	8
---	---

Combination of Boom and Crane Jib (Offset Angle 10° and 30°)	10
--	----

Working Ranges	12
----------------------	----

■ Main Boom.....	12
------------------	----

■ Aux. Sheave	13
---------------------	----

■ Crane Jib.....	14
------------------	----

Gross Rated Load Table	15
-------------------------------------	-----------

■ Main Boom.....	15
------------------	----

■ Aux. Sheave	16
---------------------	----

■ Main Boom with Aux. Sheave	17
------------------------------------	----

■ Crane Jib.....	18
------------------	----

■ Main Boom with Crane Jib.....	21
---------------------------------	----

Clamshell Specifications	24
---------------------------------	-----------

Dimensions and Specifications.....	24
------------------------------------	----

■ Working Ranges.....	24
-----------------------	----

■ Specifications.....	24
-----------------------	----

■ Clamshell Bucket	24
--------------------------	----

■ Gross Rated Load Table.....	24
-------------------------------	----

TECHNICAL DATA

Weights and Dimensions of Disassembled Units	26
Weights and Dimensions List.....	26
Equipment List	29
Standard and Optional Equipment	29

Specifications



Engine

Model	ISUZU 6HK1
Type	4-cycle, Water-cooled, Direct injection, Turbo-charged, Diesel engine
Displacement	7,790 cc
Rated Output	140 kW / 2,000 min-1 (190 ps / 2,000 rpm)
Fuel Tank Capacity	285 liters
Notes	Engine meets Tier 2 / Stage II of engine exhaust gas emission regulations in USA, Europe, and Japan. Engine rated horsepower is based on international rating formula that includes engine alternator and without fan.



Control

Control System	Main actuators are driven by main hydraulic system controlled with pilot hydraulic system in depend on movement of control levers. Actuators enable the operation of a precise safety device by combining various electronic control with hydraulic system. It is able to set the most suitable machine speed depending on work by smooth operability.
Control Levers	Control levers are designed and located based on ergonomics. Control lever system is cross operation lever type.
Display Panel Design	7 inches of Display is adopted. This display is located to check a work state clearly without disturbing the view of the operator.



Hydraulic System

Hydraulic Oil Tank Capacity	250 liters		
Hydraulic Pump Capacity	Max.	29.4 MPa	
	P1	230 liters / min	for Front, Rear, boom hoist winch, travel and sideframe retract
	P2	230 liters / min	for Front, Rear and travel
	P3	131 liters / min	for Swing
	P4	36 liters / min	Pilot control



Winch

Front and Rear Winch			
Winch	Front	Rear	
Rope Diameter	22 mm	22 mm	
Rope Length	Incorporated	185 m	120 m
	Max. for Work	215 m	215 m
	Max. for Non Work	320 m	320 m
Line Pull	Rated	63 kN	63 kN
	Max. at 1st Lay	147 kN	147 kN
Boom Hoist Winch			
Rope Diameter	16 mm		
Rope Length	Incorporated	135 mm	
Hydraulic motor with multi-disc brakes.			



Swing System

Constructed with a hydraulic motor with reduction gear and multi-disc brakes and a swing bearing which has inner tooth.



Counterweight

Upper Weight	Total Weight	17.0 ton
	8.6 ton Base Weight	1 piece
	8.4 ton Top Weight	1 piece



Carbody Frame

Welded steel construction.

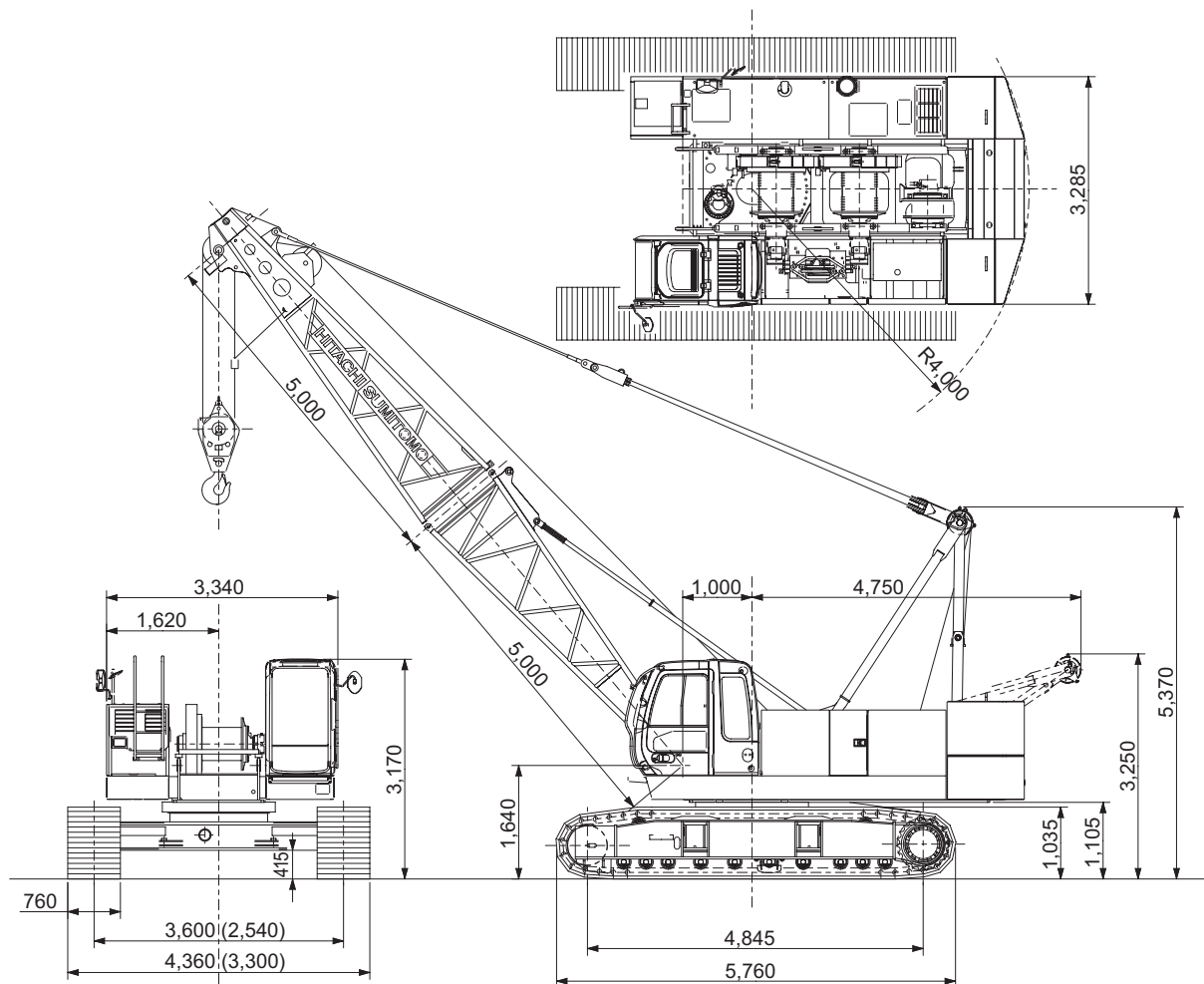


Crawler Sideframe

Frame	Welded steel box construction and can be retracted for transportation.	
Crawler Shoe	59 track shoes with triple grousers made of induction-hardened rolled alloy 760mm width.	
Upper Roller	2 pieces each side.	
Lower Roller	10 pieces each side.	
Travel Device	1 piece each side.	
	Hydraulic travel device (Hydraulic motor and reducer)	
	Travel speed (Gradability : 30%)	1.5 km/h

Crane Specifications

Dimensions and Specifications



Dimensions in () are when tracks are fully retracted.

Crane Specifications		
Max. Lifting Load × Working Radius	t × m	55 × 3.7
Basic Boom Length	m	10.0
Max. Boom Length	m	52.7
Max. Crane Jib Length	m	6 to 15
Max. Boom + Jib Length	m	43.55 + 15
Ground Contact Pressure	kPa (kgf/cm ²)	67.0 (0.68) (w / Basic Boom, 55 t Hook)
Overall Operating Weight	t	Approximately 50.0 (w / Basic Boom, 55 t Hook)

Hook Weight		
55 t		700 kg
30 t		360 kg
15 t		320 kg
6.5 t		180 kg

NOTE : Data is expressed in SI units followed by conventional units in ().

Front / Rear Winch Rope No. of Falls and Lifting Load									
Hook Capacity (t)									
	9 Falls	8 Falls	7 Falls	6 Falls	5 Falls	4 Falls	3 Falls	2 Falls	1 Fall
55	55	52	45.5	39	32.5	26	19.5	13	-
30	-	-	-	-	30.0	26	19.5	13	-
15	-	-	-	-	-	-	15	13	-
6.5	-	-	-	-	-	-	-	-	6.5

Boom and Crane Jib Configurations

Boom (1/3)	
Boom length (m)	Boom combinations
10.00 m	
13.05 m	
16.10 m	★
19.15 m	★
22.20 m	★
25.25 m	★

Boom (2/3)	
Boom length (m)	Boom combinations
28.30 m	★
31.35 m	★
34.40 m	★
37.45 m	★

Note: 1. A star mark (★) indicates manufacturer's recommended boom configuration in a consideration that it is able to set boom length in the pitch of 3.05 meters from its maximum length; other boom configuration with no star mark (★) is not able to do such an arrangement of boom length.
2. In case that crane jib is attached, 9m boom under the top boom must be replaced to 9m(B) boom.

Aux. sheave availability															
Boom length (m)	10.00	13.05	16.10	19.15	22.20	25.25	28.30	31.35	34.40	37.45	40.50	43.55	46.60	49.65	52.70
Aux. sheave	×	○	○	○	○	○	○	○	○	○	○	○	○	○	×

(○ : Attachable × : Not Attachable)

Check the pendant rope with referring to the imprints on the rope end.

Dimensions Not Shown In The Figure		Pendant Rope			
Symbols	Boom Length (m)	Length (m)	Rope Diameter (mm)	Imprint	
3	3.05	3.05	30	□ • △ • 30 • 3.048 • C	
6	6.10	4.65	30	□ • △ • 30 • 4.65 • C	
9	9.15	6.10	30	□ • △ • 30 • 6.096 • C	
9B	9.15	9.15	30	□ • △ • 30 • 9.144 • C	

Boom (3/3)	
Boom length (m)	Boom combinations
40.50 m	<p>★</p> <p>3 3 6 9 9 4.65 0.2</p> <p>5 3 3 6 9 9 5 4.65 0.2</p> <p>5 3 9 9 9 5 4.65 0.2</p> <p>5 6 6 9 9 5 4.65 0.2</p>
43.55 m	<p>★</p> <p>3 3 9 9 9 4.65 0.2</p> <p>5 3 3 9 9 9 5 4.65 0.2</p> <p>5 3 6 6 9 9 5 4.65 0.2</p> <p>5 6 9 9 9 5 4.65 0.2</p>
46.60 m	<p>★</p> <p>3 6 9 9 9 4.65 0.2</p> <p>5 3 6 9 9 9 5 4.65 0.2</p> <p>5 3 3 6 6 9 9 5 4.65 0.2</p>
49.65 m	<p>★</p> <p>3 3 6 9 9 9 4.65 0.2</p> <p>5 3 3 6 9 9 9 5 4.65 0.2</p> <p>5 6 6 9 9 9 5 4.65 0.2</p>
52.70 m	<p>3 6 6 9 9 9 4.65 0.2</p> <p>5 3 6 6 9 9 9 5 4.65 0.2</p>

Combination of Boom and Crane Jib (Offset Angle 10° and 30°)

Combination of Boom and Crane Jib (Offset Angle 10° and 30°)

Boom Length (m)	10.00	13.05	16.10	19.15	22.20	25.25	28.30	31.35	34.40	37.45	40.50	43.55	46.60	49.65	52.70	
Jib Length (m)	6	×	×	×	×	○	○	○	○	○	○	○	○	×	×	×
	9	×	×	×	×	○	○	○	○	○	○	○	○	×	×	×
	12	×	×	×	×	○	○	○	○	○	○	○	○	×	×	×
	15	×	×	×	×	○	○	○	○	○	○	○	○	×	×	×

(○ : Attachable × : Not Attachable)

Crane Jib (Offset Angle 10° and 30°)

Crane Jib Length (m)	Offset Angle	Crane Jib Configurations
6	10°	
	30°	
9	10°	
	30°	

Crane Jib (Offset Angle 10° and 30°)

Crane Jib Length (m)	Offset Angle	Crane Jib Configurations
12	10°	
	30°	
15	10°	
	30°	

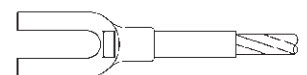
Check the pendant rope with referring to the imprints on the rope end.

Dimensions Not Shown In The Figure

Symbols	Jib Length (m)
3	3.0

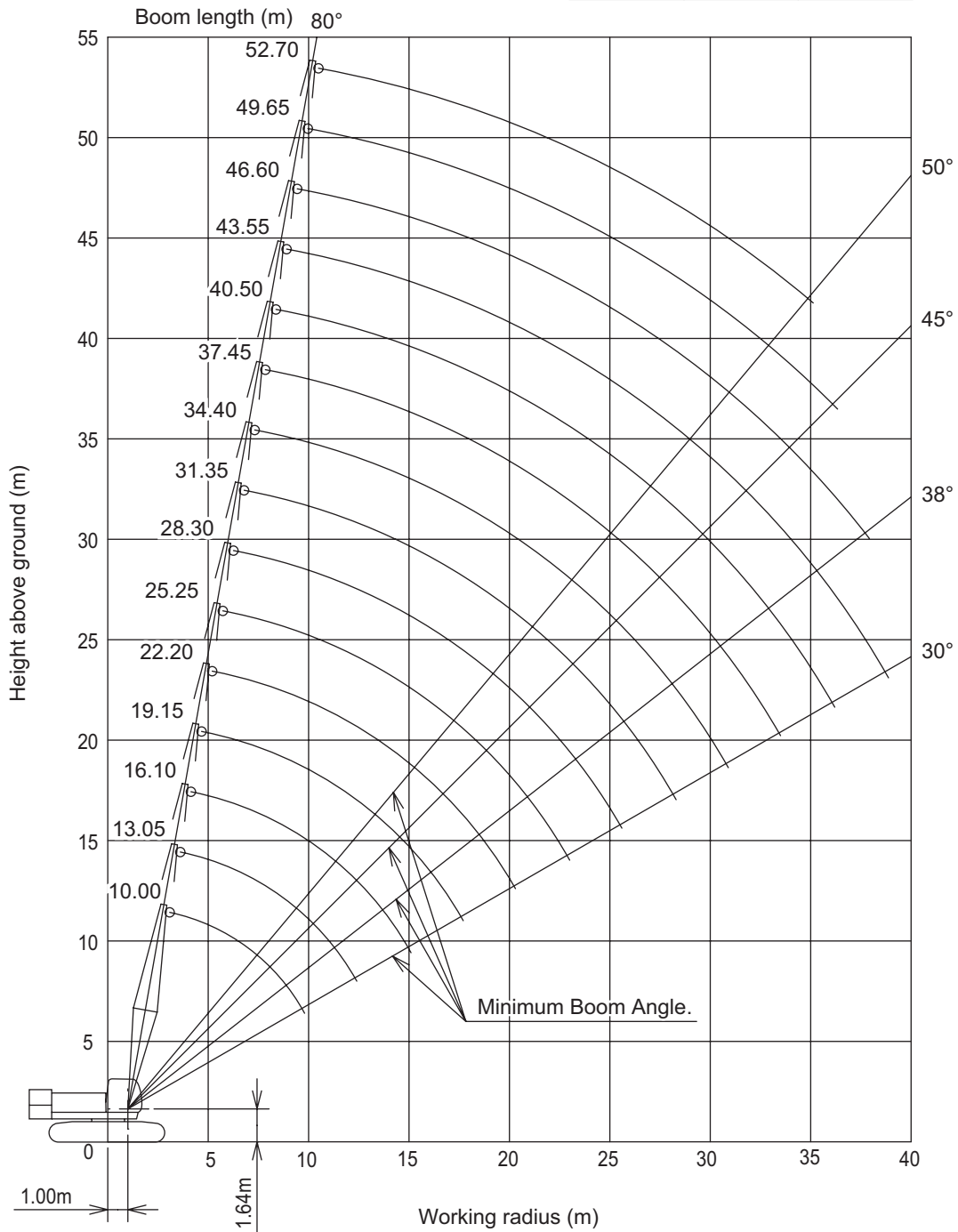
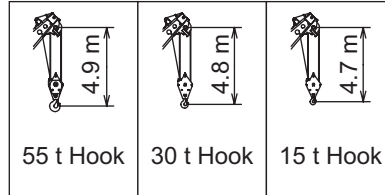
Jib Pendant Rope

Length (m)	Rope Diameter (mm)	Imprint
2.03	20	□ • △ • 20 • 2.03 • C
5.73	20	□ • △ • 20 • 5.73 • C
14.00	20	□ • △ • 20 • 14.0 • C
28.19	20	□ • △ • 20 • 28.19 • C

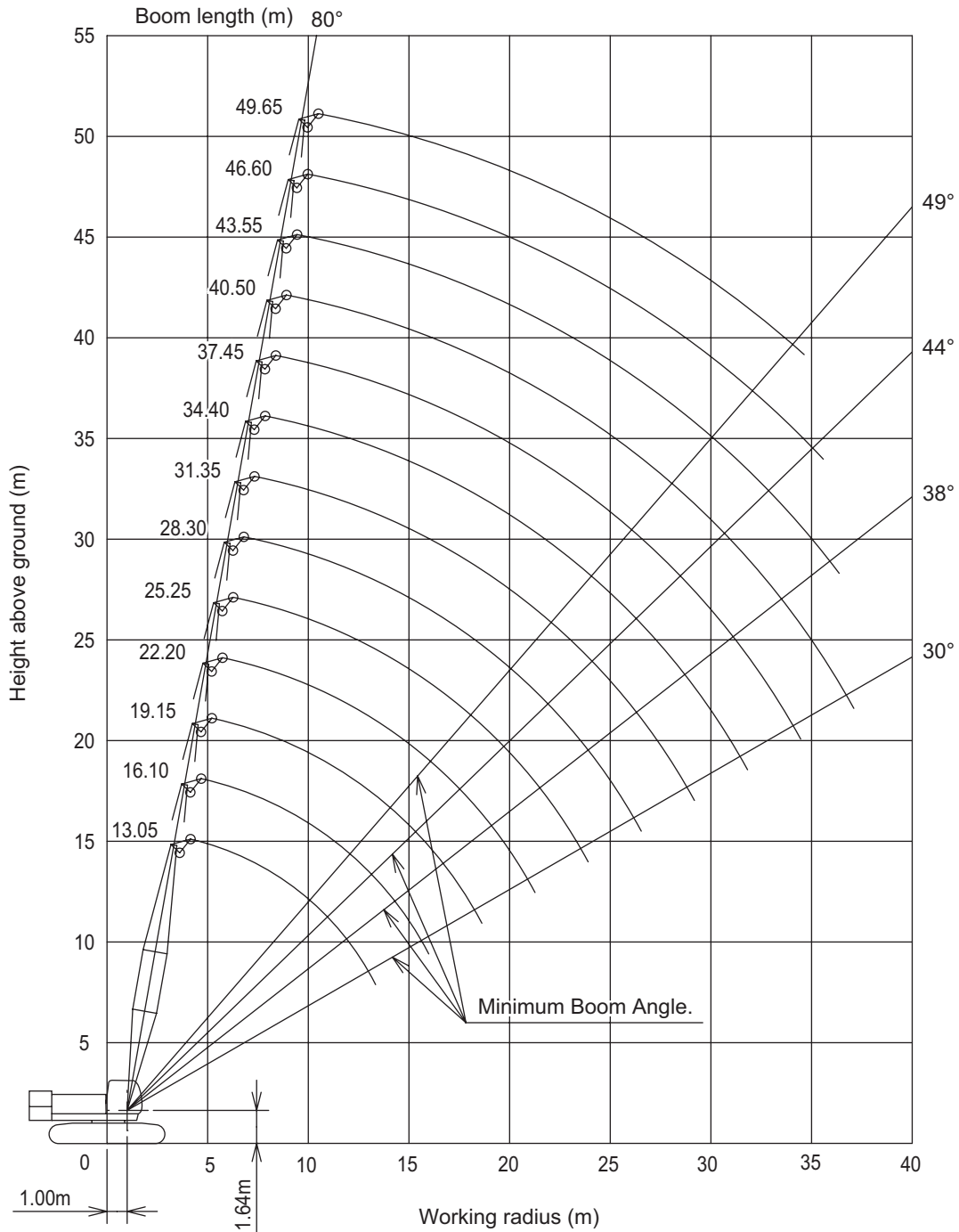
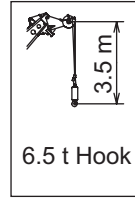


Working Ranges

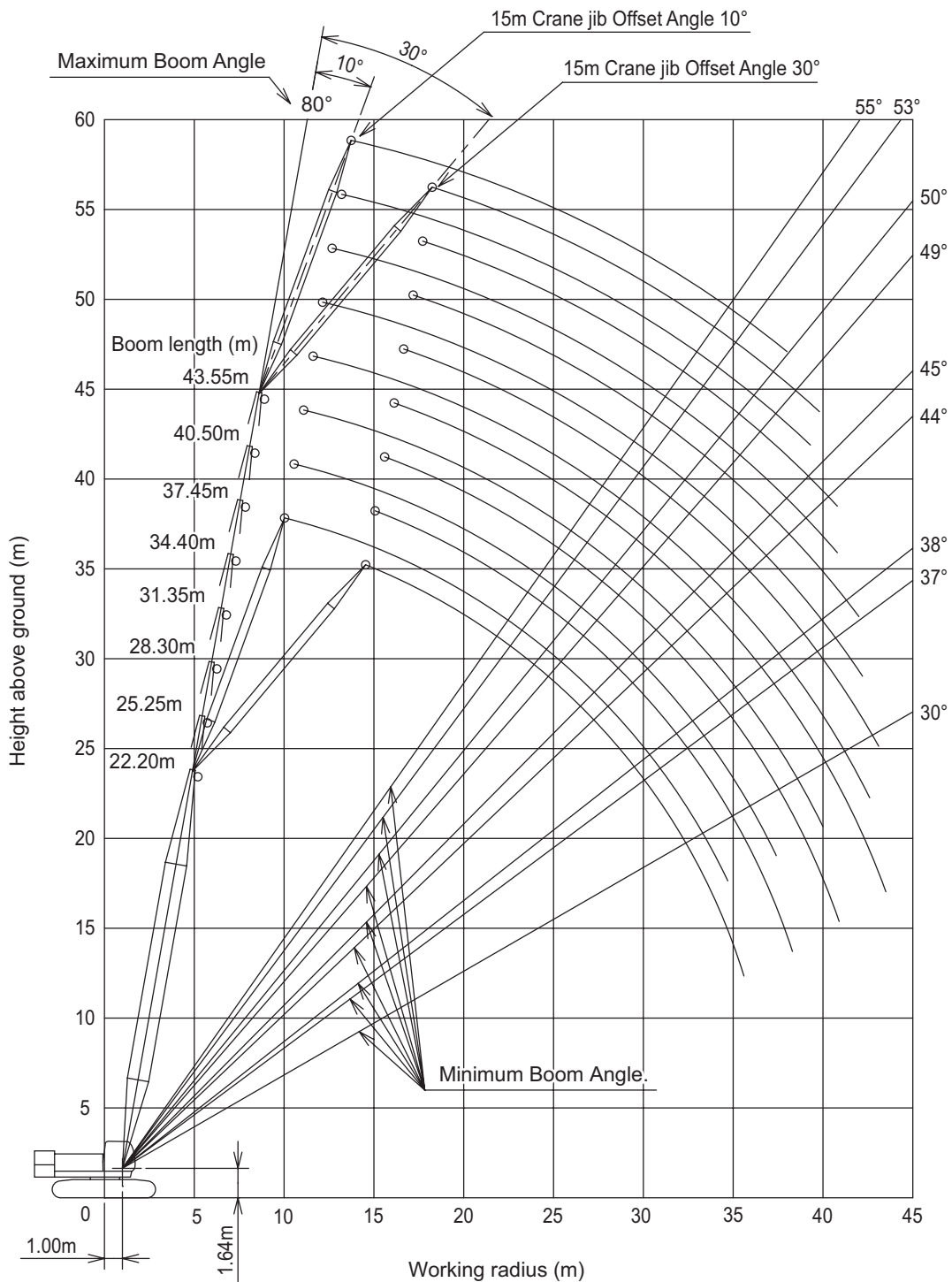
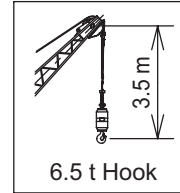
Main Boom



■ Aux. Sheave



■ Crane Jib



Gross Rated Load Table

Main Boom



Unit:ton

Working radius (m)	Boom length (m)								Working radius (m)
	10.00	13.05	16.10	19.15	22.20	25.25	28.30	31.35	
3.1	55.00								3.1
3.5	55.00	55.00/3.7							3.5
4.0	50.55	49.30	44.65/4.2						4.0
4.5	41.90	41.05	40.25	37.15/4.7					4.5
5.0	35.70	35.05	34.50	33.95	31.70/5.2				5.0
5.5	31.00	30.50	30.10	29.70	29.30	26.90/5.8			5.5
6.0	27.35	26.95	26.65	26.35	26.00	25.70	23.80/6.3	21.25/6.8	6.0
7.0	22.10	21.80	21.55	21.35	21.15	20.90	20.70	20.45	7.0
8.0	18.45	18.25	18.05	17.90	17.70	17.50	17.35	17.15	8.0
9.0	15.80	15.60	15.45	15.35	15.20	15.00	14.90	14.75	9.0
10.0	13.55/9.8	13.65	13.50	13.40	13.25	13.10	13.00	12.85	10.0
12.0		10.80	10.65	10.60	10.45	10.35	10.25	10.10	12.0
14.0		10.35/12.4	8.75	8.70	8.55	8.45	8.35	8.25	14.0
16.0			7.95/15.1	7.30	7.20	7.10	7.00	6.90	16.0
18.0				6.40/17.7	6.15	6.05	5.95	5.85	18.0
20.0					5.35	5.25	5.15	5.05	20.0
22.0					5.25/20.3	4.60	4.50	4.40	22.0
24.0						4.35/23.0	3.95	3.85	24.0
26.0							3.60/25.6	3.45	26.0
28.0								3.05	28.0
30.0								3.00/28.3	30.0

Unit:ton

Working radius (m)	Boom length (m)							Working radius (m)
	34.40	37.45	40.50	43.55	46.60	49.65	52.70	
7.0	18.80/7.4	16.40/7.9						7.0
8.0	17.05	16.40	14.20/8.4					8.0
9.0	14.60	14.45	14.20	12.35	10.60/9.5			9.0
10.0	12.75	12.60	12.45	12.20	10.55	9.20	7.90/10.5	10.0
12.0	10.00	9.90	9.75	9.65	9.60	8.65	7.30	12.0
14.0	8.15	8.05	7.95	7.80	7.75	7.65	6.40	14.0
16.0	6.80	6.70	6.60	6.50	6.45	6.30	5.65	16.0
18.0	5.80	5.70	5.55	5.45	5.40	5.30	5.05	18.0
20.0	4.95	4.85	4.75	4.65	4.60	4.50	4.40	20.0
22.0	4.30	4.20	4.10	4.00	3.95	3.85	3.75	22.0
24.0	3.80	3.70	3.55	3.45	3.40	3.35	3.20	24.0
26.0	3.35	3.25	3.15	3.05	2.95	2.90	2.75	26.0
28.0	2.95	2.85	2.75	2.65	2.55	2.45	2.30	28.0
30.0	2.65	2.55	2.40	2.30	2.20	2.10	1.95	30.0
32.0	2.50/30.9	2.25	2.10	2.00	1.90	1.75	1.65	32.0
34.0		2.05/33.5	1.85	1.70	1.60	1.50	1.35	34.0
36.0			1.60	1.45	1.35	1.25	1.20/35.4	36.0
38.0			1.55/36.2	1.25	1.20/37.7	1.20/36.6		38.0
38.7				1.20				38.7

- Notes: 1. Capacities are the maximum allowable and based on machine standing level on firm supporting surface under ideal job conditions.
 2. Capacities are in metric tones, and are not more than 78% of minimum tipping loads except the figures surrounded by bold lines which are based on other factor of machine structural strength limitation; the design codes/standards applied to the capacities are from "Construction Codes for Mobile Crane" and "Ordinance on Safety of Crane and Similar Equipment" issued by Ministry of Health, Labour and Welfare, Japan.
 3. Capacities are based on freely suspended loads and make no allowance for such factors as the effect of wind, sudden stop of loads, supporting surface conditions and operating speed. Operator must reduce load ratings to take such conditions into account.
 4. Deduction from rated capacities must be made for weight of hook block, hook ball, sling, spreader bar or any suspended gear.
 5. 17.0ton counterweight is required for all capacities on this chart.

Hook Capacity	Hook Weight (t)	Maximum Rated Load (t)									
		9 Parts	8 Parts	7 Parts	6 Parts	5 Parts	4 Parts	3 Parts	2 Parts	1 Part	
55t	4 sheaves	0.70	55.0	52.0	45.5	39.0	32.5	26.0	19.5	13.0	-
30t	3 sheaves	0.36	-	-	-	-	30.0	26.0	19.5	13.0	-
15t	1 sheave	0.32	-	-	-	-	-	-	15.0	13.0	-
6.5t		0.18	-	-	-	-	-	-	-	-	6.5

Aux. Sheave



Working radius (m)	Boom length (m)								Working radius (m)
	13.05	16.10	19.15	22.20	25.25	28.30	31.35	34.40	
4.0	6.50/4.4								4.0
4.5	6.50								4.5
5.0	6.50	6.50							5.0
5.5	6.50	6.50	6.50						5.5
6.0	6.50	6.50	6.50	6.50	6.50/6.5				6.0
7.0	6.50	6.50	6.50	6.50	6.50	6.50/7.1	6.50/7.6		7.0
8.0	6.50	6.50	6.50	6.50	6.50	6.50	6.50	6.50/8.1	8.0
9.0	6.50	6.50	6.50	6.50	6.50	6.50	6.50	6.50	9.0
10.0	6.50	6.50	6.50	6.50	6.50	6.50	6.50	6.50	10.0
12.0	6.50	6.50	6.50	6.50	6.50	6.50	6.50	6.50	12.0
14.0	6.50/13.5	6.50	6.50	6.50	6.50	6.50	6.50	6.50	14.0
16.0		6.50	6.50	6.50	6.50	6.50	6.50	6.50	16.0
18.0		6.50/16.2	6.20	6.10	6.00	5.90	5.80	5.75	18.0
20.0			5.85/18.8	5.25	5.15	5.05	4.95	4.90	20.0
22.0				4.75/21.4	4.50	4.40	4.30	4.20	22.0
24.0					3.95	3.85	3.75	3.65	24.0
26.0					3.95/24.1	3.40	3.30	3.20	26.0
28.0						3.25/26.7	2.90	2.80	28.0
30.0							2.70/29.4	2.50	30.0
32.0								2.20	32.0

Working radius (m)	Boom length (m)					Working radius (m)
	37.45	40.50	43.55	46.60	49.65	
8.0	6.50/8.7					8.0
9.0	6.50	6.50/9.2	6.50/9.7			9.0
10.0	6.50	6.50	6.50	6.50/10.3	6.25/10.8	10.0
12.0	6.50	6.50	6.50	6.50	6.10	12.0
14.0	6.50	6.50	6.50	6.50	5.85	14.0
16.0	6.50	6.50	6.50	6.50	5.65	16.0
18.0	5.65	5.55	5.45	5.40	5.30	18.0
20.0	4.80	4.70	4.60	4.55	4.45	20.0
22.0	4.15	4.00	3.90	3.85	3.75	22.0
24.0	3.55	3.45	3.35	3.30	3.20	24.0
26.0	3.10	3.00	2.90	2.85	2.70	26.0
28.0	2.70	2.60	2.45	2.40	2.25	28.0
30.0	2.40	2.20	2.10	2.00	1.90	30.0
32.0	2.05	1.90	1.75	1.70	1.55	32.0
34.0	1.80	1.65	1.50	1.40	1.25	34.0
36.0	1.70/34.6	1.40	1.25	1.20/35.7	1.20/34.7	36.0
37.3		1.25	1.20/36.7			37.3

Notes: 1. Capacities are the maximum allowable and based on machine standing level on firm supporting surface under ideal job conditions.

2. Capacities are in metric tones, and are not more than 78% of minimum tipping loads except the figures surrounded by bold lines which are based on other factor of machine structural strength limitation; the design codes/standards applied to the capacities are from "Construction Codes for Mobile Crane" and "Ordinance on Safety of Crane and Similar Equipment" issued by Ministry of Health, Labour and Welfare, Japan.

3. Capacities are based on freely suspended loads and make no allowance for such factors as the effect of wind, sudden stop of loads, supporting surface conditions and operating speed. Operator must reduce load ratings to take such conditions into account.

4. Deduction from rated capacities must be made for weight of hook block, hook ball, sling, spreader bar or any suspended gear.

5. 17.0ton counterweight is required for all capacities on this chart.

Hook Capacity	Hook Weight (t)	Maximum Rated Load (t)								
		9 Parts	8 Parts	7 Parts	6 Parts	5 Parts	4 Parts	3 Parts	2 Parts	1 Part
55t 4 sheaves	0.70	55.0	52.0	45.5	39.0	32.5	26.0	19.5	13.0	-
30t 3 sheaves	0.36	-	-	-	-	30.0	26.0	19.5	13.0	-
15t 1 sheave	0.32	-	-	-	-	-	-	15.0	13.0	-
6.5t	0.18	-	-	-	-	-	-	-	-	6.5

■ Main Boom with Aux. Sheave



Working radius (m)	Boom length (m)								Working radius (m)
	13.05	16.10	19.15	22.20	25.25	28.30	31.35	34.40	
3.7	54.75								3.7
4.0	49.10	44.50/4.2							4.0
4.5	40.85	40.10	36.95/4.7						4.5
5.0	34.90	34.30	33.80	31.50/5.2					5.0
5.5	30.35	29.90	29.50	29.10	26.70/5.8				5.5
6.0	26.80	26.45	26.15	25.85	25.50	23.60/6.3	21.05/6.8		6.0
7.0	21.65	21.40	21.20	20.95	20.70	20.50	20.25	18.25/7.4	7.0
8.0	18.05	17.90	17.70	17.55	17.35	17.15	17.00	16.85	8.0
9.0	15.45	15.30	15.15	15.00	14.85	14.70	14.55	14.40	9.0
10.0	13.45	13.30	13.20	13.05	12.90	12.80	12.65	12.55	10.0
12.0	10.65	10.50	10.40	10.30	10.15	10.05	9.90	9.80	12.0
14.0	10.20/12.4	8.60	8.50	8.40	8.25	8.15	8.05	7.95	14.0
16.0		7.80/15.1	7.15	7.00	6.90	6.80	6.70	6.60	16.0
18.0			6.25/17.7	6.00	5.90	5.80	5.65	5.60	18.0
20.0				5.20	5.10	4.95	4.85	4.80	20.0
22.0				5.10/20.3	4.45	4.35	4.20	4.15	22.0
24.0					4.15/23.0	3.80	3.70	3.60	24.0
26.0						3.45/25.6	3.25	3.15	26.0
28.0							2.90	2.80	28.0
30.0							2.85/28.3	2.45	30.0
32.0								2.30/30.9	32.0

Working radius (m)	Boom length (m)					Working radius (m)
	37.45	40.50	43.55	46.60	49.65	
7.0	15.80/7.9					7.0
8.0	15.80	13.65/8.4				8.0
9.0	14.25	13.60	11.80	10.00/9.5		9.0
10.0	12.40	12.25	11.65	10.00	8.60	10.0
12.0	9.70	9.55	9.45	9.30	8.10	12.0
14.0	7.85	7.70	7.60	7.55	7.20	14.0
16.0	6.50	6.35	6.25	6.20	6.10	16.0
18.0	5.50	5.35	5.25	5.20	5.10	18.0
20.0	4.65	4.55	4.45	4.40	4.30	20.0
22.0	4.00	3.90	3.80	3.75	3.65	22.0
24.0	3.50	3.35	3.25	3.20	3.05	24.0
26.0	3.05	2.90	2.80	2.70	2.55	26.0
28.0	2.65	2.50	2.35	2.30	2.15	28.0
30.0	2.30	2.15	2.00	1.90	1.80	30.0
32.0	2.00	1.85	1.70	1.60	1.45	32.0
34.0	1.80/33.5	1.55	1.40	1.30	1.20	34.0
36.0		1.35	1.20	1.20/35.2	1.20/34.1	36.0
36.2		1.30	1.20/36.1			36.2

- Notes: 1. Capacities are the maximum allowable and based on machine standing level on firm supporting surface under ideal job conditions.
 2. Capacities are in metric tones, and are not more than 78% of minimum tipping loads except the figures surrounded by bold lines which are based on other factor of machine structural strength limitation; the design codes/standards applied to the capacities are from "Construction Codes for Mobile Crane" and "Ordinance on Safety of Crane and Similar Equipment" issued by Ministry of Health, Labour and Welfare, Japan.
 3. Capacities are based on freely suspended loads and make no allowance for such factors as the effect of wind, sudden stop of loads, supporting surface conditions and operating speed. Operator must reduce load ratings to take such conditions into account.
 4. Deduction from rated capacities must be made for weight of hook block, hook ball, sling, spreader bar or any suspended gear.
 5. 17.0ton counterweight is required for all capacities on this chart.

Hook Capacity	Hook Weight (t)	Maximum Rated Load (t)								
		9 Parts	8 Parts	7 Parts	6 Parts	5 Parts	4 Parts	3 Parts	2 Parts	1 Part
55t 4 sheaves	0.70	55.0	52.0	45.5	39.0	32.5	26.0	19.5	13.0	-
30t 3 sheaves	0.36	-	-	-	-	30.0	26.0	19.5	13.0	-
15t 1 sheave	0.32	-	-	-	-	-	-	15.0	13.0	-
6.5t	0.18	-	-	-	-	-	-	-	-	6.5

Crane Jib



22.20										Unit:ton
Boom length (m)									Boom length (m)	
Jib length (m)	6		9		12		15		Jib length (m)	
Offset angle (deg)	10	30	10	30	10	30	10	30	Offset angle (deg)	
Radius (m)									Radius (m)	
7.5	6.50								7.5	
8.0	6.50		5.00 /8.5						8.0	
9.0	6.50	6.50 /9.3	5.00		4.10 /9.6				9.0	
10.0	6.50	6.50	5.00	5.00 /11.2	4.10		3.30 /10.6		10.0	
12.0	6.50	6.50	5.00	5.00	4.10	4.10 /13.2	3.30		12.0	
14.0	6.50	6.50	5.00	5.00	4.10	4.10	3.30	3.30 /15.1	14.0	
16.0	6.50	6.50	5.00	5.00	4.10	4.10	3.30	3.30	16.0	
18.0	6.10	6.20	5.00	5.00	4.10	4.00	3.30	3.25	18.0	
20.0	5.25	5.35	5.00	4.85	4.10	3.75	3.30	3.05	20.0	
22.0	4.60	4.65	4.65	4.55	4.10	3.55	3.30	2.85	22.0	
24.0	4.05	4.10	4.15	4.20	4.10	3.35	3.30	2.70	24.0	
26.0	3.45	3.50	3.65	3.75	3.70	3.20	3.30	2.55	26.0	
28.0	3.45 /26.3	3.35 /26.6	3.15	3.35	3.35	3.05	3.10	2.45	28.0	
30.0			3.00 /29.1	2.85 /29.6	2.90	2.95	2.85	2.30	30.0	
32.0					2.55 /31.9	2.65	2.65	2.25	32.0	
34.0						2.50 /32.6	2.40	2.20	34.0	
36.0							2.05 /34.7	2.10 /35.6	36.0	

25.25										Unit:ton
Boom length (m)									Boom length (m)	
Jib length (m)	6		9		12		15		Jib length (m)	
Offset angle (deg)	10	30	10	30	10	30	10	30	Offset angle (deg)	
Radius (m)									Radius (m)	
8.0	6.50								8.0	
9.0	6.50	6.50 /9.8	5.00 /9.1						9.0	
10.0	6.50	6.50	5.00	5.00 /11.8	4.10 /10.1		3.30 /11.2		10.0	
12.0	6.50	6.50	5.00	5.00	4.10	4.10 /13.7	3.30		12.0	
14.0	6.50	6.50	5.00	5.00	4.10	4.10	3.30	3.30 /15.7	14.0	
16.0	6.50	6.50	5.00	5.00	4.10	4.10	3.30	3.30	16.0	
18.0	5.95	6.10	5.00	5.00	4.10	4.10	3.30	3.30	18.0	
20.0	5.15	5.25	5.00	5.00	4.10	3.85	3.30	3.15	20.0	
22.0	4.50	4.55	4.55	4.70	4.10	3.65	3.30	2.95	22.0	
24.0	3.95	4.00	4.00	4.10	3.90	3.45	3.30	2.80	24.0	
26.0	3.50	3.55	3.55	3.65	3.60	3.30	3.30	2.65	26.0	
28.0	3.00	3.05	3.20	3.25	3.25	3.20	3.15	2.55	28.0	
30.0	2.80 /28.9	2.75 /29.3	2.75	2.90	2.90	3.00	2.95	2.45	30.0	
32.0			2.45 /31.7	2.40	2.55	2.65	2.65	2.35	32.0	
34.0				2.40 /32.3	2.20	2.30	2.40	2.25	34.0	
36.0					1.90 /34.5	1.95 /35.3	2.05	2.15	36.0	
38.0							2.00 /37.4	2.00	38.0	
38.3								1.95	38.3	

- Notes: 1. Capacities are the maximum allowable and based on machine standing level on firm supporting surface under ideal job conditions.
 2. Capacities are in metric tones, and are not more than 78% of minimum tipping loads except the figures surrounded by bold lines which are based on other factor of machine structural strength limitation; the design codes/standards applied to the capacities are from "Construction Codes for Mobile Crane" and "Ordinance on Safety of Crane and Similar Equipment" issued by Ministry of Health, Labour and Welfare, Japan.
 3. Capacities are based on freely suspended loads and make no allowance for such factors as the effect of wind, sudden stop of loads, supporting surface conditions and operating speed. Operator must reduce load ratings to take such conditions into account.
 4. Deduction from rated capacities must be made for weight of hook block, hook ball, sling, spreader bar or any suspended gear.
 5. 17.0ton counterweight is required for all capacities on this chart.

Hook Capacity	Hook Weight (t)	Maximum Rated Load (t)									
		9 Parts	8 Parts	7 Parts	6 Parts	5 Parts	4 Parts	3 Parts	2 Parts	1 Part	
55t 4 sheaves	0.70	55.0	52.0	45.5	39.0	32.5	26.0	19.5	13.0	-	
30t 3 sheaves	0.36	-	-	-	-	30.0	26.0	19.5	13.0	-	
15t 1 sheave	0.32	-	-	-	-	-	-	15.0	13.0	-	
6.5t	0.18	-	-	-	-	-	-	-	-	6.5	

■ Crane Jib



Boom length (m)		28.30								Boom length (m)	
Jib length (m)		6		9		12		15		Jib length (m)	
Offset angle (deg)		10	30	10	30	10	30	10	30	Offset angle (deg)	
Radius (m)										Radius (m)	
8.6	6.50										8.6
9.0	6.50			5.00 / 9.6							9.0
10.0	6.50	6.50 / 10.4		5.00		4.10 / 10.7			3.30 / 11.7		10.0
12.0	6.50	6.50		5.00	5.00 / 12.3	4.10			3.30		12.0
14.0	6.50	6.50		5.00	5.00	4.10	4.10 / 14.3		3.30		14.0
16.0	6.50	6.50		5.00	5.00	4.10	4.10		3.30	3.30 / 16.2	16.0
18.0	5.85	6.00		5.00	5.00	4.10	4.10		3.30	3.30	18.0
20.0	5.05	5.15		5.00	5.00	4.10	4.00		3.30	3.20	20.0
22.0	4.40	4.45		4.45	4.60	4.10	3.75		3.30	3.05	22.0
24.0	3.85	3.90		3.90	4.05	3.95	3.60		3.30	2.90	24.0
26.0	3.40	3.45		3.45	3.55	3.50	3.40		3.30	2.75	26.0
28.0	3.00	3.05		3.05	3.15	3.10	3.20		3.15	2.60	28.0
30.0	2.60	2.60		2.75	2.80	2.80	2.90		2.85	2.50	30.0
32.0	2.30 / 31.5	2.30 / 31.9		2.35	2.40	2.50	2.60		2.55	2.40	32.0
34.0				2.05	2.10	2.20	2.30		2.30	2.30	34.0
36.0				2.00 / 34.4	2.00 / 34.9	1.85	2.05		2.05	2.15	36.0
38.0						1.85 / 37.2	1.85 / 37.9		1.85	1.90	38.0
40.0										1.70	40.0
40.9										1.60	40.9

Unit:ton

Boom length (m)		31.35								Boom length (m)	
Jib length (m)		6		9		12		15		Jib length (m)	
Offset angle (deg)		10	30	10	30	10	30	10	30	Offset angle (deg)	
Radius (m)										Radius (m)	
9.1	6.50										9.1
10.0	6.50	6.50 / 10.9		5.00 / 10.2		4.10 / 11.2					10.0
12.0	6.50	6.50		5.00	5.00 / 12.9	4.10			3.30 / 12.3		12.0
14.0	6.50	6.50		5.00	5.00	4.10	4.10 / 14.8		3.30		14.0
16.0	6.50	6.50		5.00	5.00	4.10	4.10		3.30	3.30 / 16.8	16.0
18.0	5.75	5.90		5.00	5.00	4.10	4.10		3.30	3.30	18.0
20.0	4.95	5.05		5.00	5.00	4.10	4.10		3.30	3.30	20.0
22.0	4.25	4.35		4.35	4.50	4.10	3.90		3.30	3.10	22.0
24.0	3.75	3.80		3.80	3.95	3.85	3.70		3.30	2.95	24.0
26.0	3.30	3.35		3.35	3.45	3.40	3.45		3.30	2.80	26.0
28.0	2.90	2.95		2.95	3.05	3.00	3.15		3.05	2.70	28.0
30.0	2.50	2.55		2.65	2.70	2.70	2.80		2.70	2.60	30.0
32.0	2.25	2.25		2.30	2.40	2.40	2.50		2.45	2.50	32.0
34.0	2.00	1.95		2.05	2.10	2.15	2.20		2.20	2.30	34.0
36.0	1.90 / 34.2	1.90 / 34.5		1.80	1.80	1.90	1.95		1.95	2.05	36.0
38.0				1.70 / 37.0	1.70 / 37.5	1.65	1.70		1.70	1.80	38.0
40.0						1.50 / 39.8	1.50		1.50	1.60	40.0
42.0							1.45 / 40.5		1.35	1.40	42.0
44.0									1.30 / 42.6	1.25 / 43.5	44.0

Unit:ton

Boom length (m)		34.40								Boom length (m)	
Jib length (m)		6		9		12		15		Jib length (m)	
Offset angle (deg)		10	30	10	30	10	30	10	30	Offset angle (deg)	
Radius (m)										Radius (m)	
9.7	6.50										9.7
10.0	6.50	6.50 / 11.5		5.00 / 10.7		4.10 / 11.8					10.0
12.0	6.50	6.50		5.00	5.00 / 13.4	4.10			3.30 / 12.8		12.0
14.0	6.50	6.50		5.00	5.00	4.10	4.10 / 15.4		3.30		14.0
16.0	6.50	6.50		5.00	5.00	4.10	4.10		3.30	3.30 / 17.3	16.0
18.0	5.65	5.80		5.00	5.00	4.10	4.10		3.30	3.30	18.0
20.0	4.85	5.00		4.90	5.00	4.10	4.10		3.30	3.30	20.0
22.0	4.20	4.30		4.25	4.45	4.10	3.95		3.30	3.20	22.0
24.0	3.65	3.75		3.70	3.85	3.75	3.80		3.30	3.05	24.0
26.0	3.20	3.25		3.25	3.40	3.30	3.50		3.30	2.90	26.0
28.0	2.80	2.85		2.85	3.00	2.90	3.10		2.95	2.75	28.0
30.0	2.45	2.55		2.55	2.65	2.60	2.75		2.65	2.65	30.0
32.0	2.10	2.15		2.25	2.35	2.30	2.40		2.35	2.50	32.0
34.0	1.85	1.85		1.90	2.05	2.00	2.15		2.05	2.25	34.0
36.0	1.65	1.65		1.50	1.75	1.75	1.85		1.80	1.95	36.0
38.0	1.55 / 36.8	1.50 / 37.2		1.45	1.50	1.55	1.60		1.60	1.70	38.0
40.0				1.30 / 39.6	1.30	1.35	1.40		1.40	1.50	40.0
42.0					1.30 / 40.2	1.20 / 41.7	1.20		1.20	1.30	42.0
44.0							1.20 / 42.2		1.20 / 42.2	1.20 / 43.1	44.0

Unit:ton

Crane Jib



37.45										Unit:ton
Boom length (m)									Boom length (m)	
Jib length (m)	6		9		12		15		Jib length (m)	
Offset angle (deg)	10	30	10	30	10	30	10	30	Offset angle (deg)	
Radius (m)									Radius (m)	
10.2	6.50		5.00 /11.3						10.2	
12.0	6.50	6.50	5.00		4.10 /12.3		3.30 /13.4		12.0	
14.0	6.50	6.50	5.00	5.00	4.10	4.10 /15.9	3.30		14.0	
16.0	6.30	6.50	5.00	5.00	4.10	4.10	3.30	3.30 /17.9	16.0	
18.0	5.55	5.75	5.00	5.00	4.10	4.10	3.30	3.30	18.0	
20.0	4.75	4.90	4.80	5.00	4.10	4.10	3.30	3.30	20.0	
22.0	4.05	4.20	4.15	4.35	4.10	4.05	3.30	3.25	22.0	
24.0	3.55	3.65	3.60	3.80	3.65	3.80	3.30	3.10	24.0	
26.0	3.10	3.15	3.15	3.30	3.20	3.40	3.15	2.95	26.0	
28.0	2.70	2.75	2.75	2.90	2.80	3.00	2.85	2.85	28.0	
30.0	2.35	2.45	2.40	2.55	2.50	2.65	2.55	2.65	30.0	
32.0	2.00	2.10	2.10	2.20	2.15	2.35	2.25	2.40	32.0	
34.0	1.70	1.75	1.80	1.90	1.90	2.05	1.95	2.15	34.0	
36.0	1.50	1.55	1.55	1.65	1.65	1.75	1.70	1.85	36.0	
38.0	1.25	1.30	1.35	1.40	1.40	1.50	1.45	1.60	38.0	
40.0	1.20 /39.0	1.20 /39.1	1.20 /39.6	1.20	1.20	1.30	1.25	1.40	40.0	
42.0				1.20 /40.1	1.20 /40.2	1.20 /41.1	1.20 /40.8	1.20	42.0	

40.50										Unit:ton
Boom length (m)									Boom length (m)	
Jib length (m)	6		9		12		15		Jib length (m)	
Offset angle (deg)	10	30	10	30	10	30	10	30	Offset angle (deg)	
Radius (m)									Radius (m)	
10.8	6.50		5.00 /11.9						10.8	
12.0	6.50	6.50 /12.6	5.00		4.10 /12.9				12.0	
14.0	6.50	6.50	5.00	5.00 /14.5	4.10		3.30		14.0	
16.0	6.45	6.50	5.00	5.00	4.10	4.10 /16.5	3.30		16.0	
18.0	5.45	5.60	5.00	5.00	4.10	4.10	3.30	3.30 /18.4	18.0	
20.0	4.60	4.80	4.70	4.95	4.10	4.10	3.30	3.30	20.0	
22.0	3.95	4.10	4.05	4.25	4.10	4.10	3.30	3.30	22.0	
24.0	3.40	3.55	3.50	3.70	3.55	3.80	3.30	3.15	24.0	
26.0	2.95	3.05	3.05	3.20	3.10	3.30	3.15	3.00	26.0	
28.0	2.55	2.65	2.65	2.80	2.70	2.90	2.75	2.90	28.0	
30.0	2.20	2.30	2.25	2.45	2.35	2.55	2.40	2.65	30.0	
32.0	1.85	1.95	1.95	2.10	2.00	2.20	2.10	2.35	32.0	
34.0	1.60	1.65	1.65	1.80	1.75	1.90	1.80	2.00	34.0	
36.0	1.35	1.40	1.40	1.50	1.50	1.65	1.55	1.75	36.0	
38.0	1.20 /37.4	1.20 /37.8	1.20	1.25	1.25	1.40	1.30	1.50	38.0	
40.0			1.20 /38.1	1.20 /38.8	1.20 /38.7	1.20 /39.8	1.20 /39.3	1.25	40.0	

43.55										Unit:ton
Boom length (m)									Boom length (m)	
Jib length (m)	6		9		12		15		Jib length (m)	
Offset angle (deg)	10	30	10	30	10	30	10	30	Offset angle (deg)	
Radius (m)									Radius (m)	
10.0	6.50 /11.4								10.0	
12.0	6.50	6.50 /13.2	5.00 /12.4		4.10 /13.5				12.0	
14.0	6.50	6.50	5.00	5.00 /15.1	4.10		3.30 /14.5		14.0	
16.0	6.35	6.50	5.00	5.00	4.10	4.10 /17.1	3.30		16.0	
18.0	5.30	5.50	5.00	5.00	4.10	4.10	3.30	3.30 /19.0	18.0	
20.0	4.50	4.70	4.60	4.85	4.10	4.10	3.30	3.30	20.0	
22.0	3.85	4.00	3.95	4.15	4.00	4.10	3.30	3.30	22.0	
24.0	3.30	3.45	3.40	3.60	3.45	3.75	3.30	3.20	24.0	
26.0	2.85	2.95	2.90	3.10	3.00	3.25	3.05	3.05	26.0	
28.0	2.40	2.55	2.50	2.70	2.60	2.80	2.65	2.90	28.0	
30.0	2.05	2.15	2.15	2.30	2.20	2.45	2.30	2.55	30.0	
32.0	1.75	1.80	1.80	1.95	1.90	2.10	1.95	2.25	32.0	
34.0	1.45	1.55	1.55	1.65	1.60	1.80	1.65	1.90	34.0	
36.0	1.20	1.25	1.30	1.40	1.35	1.50	1.40	1.65	36.0	
38.0	1.20 /36.1	1.20 /36.7	1.20 /36.8	1.20 /37.8	1.20 /37.5	1.25	1.20	1.40	38.0	
40.0						1.20 /38.8		1.20 /39.8	40.0	

■ Main Boom with Crane Jib



Unit:ton									
Boom length (m)	22.20								Boom length (m)
Jib length (m)	6		9		12		15		Jib length (m)
Offset angle (deg)	10	30	10	30	10	30	10	30	Offset angle (deg)
Radius (m)									Radius (m)
5.2	31.20	31.05	31.05	30.75	30.85	30.45	30.60	30.05	5.2
5.5	28.85	28.70	28.65	28.40	28.45	28.10	28.25	27.70	5.5
6.0	25.55	25.40	25.35	25.10	25.15	24.80	24.95	24.50	6.0
7.0	20.65	20.50	20.45	20.30	20.25	20.00	20.05	19.70	7.0
8.0	17.20	17.10	17.05	16.90	16.85	16.65	16.65	16.35	8.0
9.0	14.65	14.60	14.50	14.35	14.30	14.15	14.10	13.90	9.0
10.0	12.70	12.65	12.55	12.45	12.40	12.20	12.20	12.00	10.0
12.0	9.85	9.85	9.70	9.70	9.55	9.50	9.40	9.25	12.0
14.0	7.90	7.90	7.75	7.75	7.60	7.60	7.45	7.40	14.0
16.0	6.50	6.50	6.35	6.35	6.20	6.20	6.05	6.05	16.0
18.0	5.50	5.50	5.35	5.35	5.20	5.20	5.05	5.05	18.0
20.0	4.70	4.70	4.55	4.55	4.40	4.40	4.25	4.25	20.0
20.3	4.60	4.60	4.45	4.45	4.30	4.30	4.15	4.15	20.3

Unit:ton									
Boom length (m)	25.25								Boom length (m)
Jib length (m)	6		9		12		15		Jib length (m)
Offset angle (deg)	10	30	10	30	10	30	10	30	Offset angle (deg)
Radius (m)									Radius (m)
5.8	26.45	26.30	26.25	26.00	26.05	25.70	25.85	25.40	5.8
6.0	25.20	25.05	25.05	24.80	24.85	24.50	24.65	24.20	6.0
7.0	20.40	20.30	20.25	20.05	20.05	19.80	19.85	19.50	7.0
8.0	17.00	16.90	16.85	16.70	16.70	16.45	16.50	16.20	8.0
9.0	14.50	14.45	14.35	14.20	14.20	14.00	14.00	13.75	9.0
10.0	12.60	12.50	12.45	12.30	12.25	12.10	12.05	11.85	10.0
12.0	9.80	9.75	9.65	9.55	9.50	9.35	9.30	9.15	12.0
14.0	7.85	7.85	7.70	7.70	7.55	7.50	7.40	7.30	14.0
16.0	6.45	6.45	6.30	6.30	6.15	6.15	6.00	6.00	16.0
18.0	5.40	5.40	5.25	5.25	5.10	5.10	4.95	4.95	18.0
20.0	4.60	4.00	4.45	4.45	4.30	4.30	4.15	4.15	20.0
22.0	3.95	3.95	3.80	3.80	3.65	3.65	3.50	3.50	22.0
23.0	3.75	3.75	3.60	3.60	3.45	3.45	3.30	3.30	23.0

Unit:ton									
Boom length (m)	28.30								Boom length (m)
Jib length (m)	6		9		12		15		Jib length (m)
Offset angle (deg)	10	30	10	30	10	30	10	30	Offset angle (deg)
Radius (m)									Radius (m)
6.3	23.30	23.20	23.15	22.95	23.00	22.65	22.80	22.35	6.3
7.0	20.20	20.10	20.05	19.85	19.85	19.60	19.70	19.30	7.0
8.0	16.85	16.75	16.70	16.55	16.55	16.30	16.35	16.05	8.0
9.0	14.40	14.30	14.20	14.10	14.05	13.85	13.90	13.60	9.0
10.0	12.45	12.40	12.30	12.20	12.15	12.00	12.00	11.75	10.0
12.0	9.70	9.65	9.55	9.45	9.40	9.30	9.25	9.05	12.0
14.0	7.75	7.75	7.60	7.60	7.45	7.45	7.30	7.25	14.0
16.0	6.35	6.35	6.20	6.20	6.05	6.05	5.90	5.90	16.0
18.0	5.30	5.30	5.15	5.15	5.00	5.00	4.85	4.85	18.0
20.0	4.50	4.50	4.35	4.35	4.20	4.20	4.05	4.05	20.0
22.0	3.85	3.85	3.70	3.70	3.55	3.55	3.40	3.40	22.0
24.0	3.30	3.30	3.15	3.15	3.00	3.00	2.85	2.85	24.0
25.6	3.00	3.00	2.85	2.85	2.70	2.70	2.55	2.55	25.6

- Notes: 1. Capacities are the maximum allowable and based on machine standing level on firm supporting surface under ideal job conditions.
 2. Capacities are in metric tones, and are not more than 78% of minimum tipping loads except the figures surrounded by bold lines which are based on other factor of machine structural strength limitation; the design codes/standards applied to the capacities are from "Construction Codes for Mobile Crane" and "Ordinance on Safety of Crane and Similar Equipment" issued by Ministry of Health, Labour and Welfare, Japan.
 3. Capacities are based on freely suspended loads and make no allowance for such factors as the effect of wind, sudden stop of loads, supporting surface conditions and operating speed. Operator must reduce load ratings to take such conditions into account.
 4. Deduction from rated capacities must be made for weight of hook block, hook ball, sling, spreader bar or any suspended gear.
 5. 17.0ton counterweight is required for all capacities on this chart.

Hook Capacity	Hook Weight (t)	Maximum Rated Load (t)									
		9 Parts	8 Parts	7 Parts	6 Parts	5 Parts	4 Parts	3 Parts	2 Parts	1 Part	
55t 4 sheaves	0.70	55.0	52.0	45.5	39.0	32.5	26.0	19.5	13.0	-	
30t 3 sheaves	0.36	-	-	-	-	30.0	26.0	19.5	13.0	-	
15t 1 sheave	0.32	-	-	-	-	-	-	15.0	13.0	-	
6.5t	0.18	-	-	-	-	-	-	-	-	6.5	

■ Main Boom with Crane Jib



Unit:ton									
Boom length (m)	31.35								Boom length (m)
Jib length (m)	6		9		12		15		Jib length (m)
Offset angle (deg)	10	30	10	30	10	30	10	30	Offset angle (deg)
Radius (m)									Radius (m)
6.8	20.80	20.65	20.55	20.35	20.15	19.90	19.70	19.35	6.8
7.0	20.00	19.85	19.85	19.65	19.65	19.40	19.45	19.10	7.0
8.0	16.70	16.60	16.55	16.35	16.35	16.15	16.20	15.85	8.0
9.0	14.20	14.15	14.05	13.95	13.90	13.70	13.75	13.45	9.0
10.0	12.30	12.25	12.20	12.05	12.00	11.85	11.85	11.60	10.0
12.0	9.60	9.55	9.45	9.35	9.30	9.15	9.15	8.95	12.0
14.0	7.70	7.65	7.55	7.50	7.40	7.30	7.25	7.15	14.0
16.0	6.30	6.30	6.15	6.15	6.00	6.00	5.85	5.80	16.0
18.0	5.25	5.25	5.10	5.10	4.95	4.95	4.80	4.80	18.0
20.0	4.40	4.40	4.25	4.25	4.10	4.10	3.95	3.95	20.0
22.0	3.75	3.75	3.60	3.60	3.45	3.45	3.30	3.30	22.0
24.0	3.25	3.25	3.10	3.10	2.95	2.95	2.80	2.80	24.0
26.0	2.80	2.80	2.65	2.65	2.50	2.50	2.35	2.35	26.0
28.0	2.40	2.40	2.25	2.25	2.10	2.10	1.95	1.95	28.0
28.3	2.40	2.40	2.25	2.25	2.10	2.10	1.90	1.90	28.3

Unit:ton									
Boom length (m)	34.40								Boom length (m)
Jib length (m)	6		9		12		15		Jib length (m)
Offset angle (deg)	10	30	10	30	10	30	10	30	Offset angle (deg)
Radius (m)									Radius (m)
7.4	17.80	17.70	17.45	17.30	17.10	16.85	16.65	16.35	7.4
8.0	16.55	16.45	16.40	16.20	16.25	16.00	16.05	15.75	8.0
9.0	14.10	14.00	13.95	13.80	13.80	13.60	13.65	13.35	9.0
10.0	12.20	12.15	12.10	11.95	11.95	11.75	11.75	11.50	10.0
12.0	9.50	9.45	9.35	9.25	9.20	9.05	9.05	8.85	12.0
14.0	7.60	7.60	7.45	7.40	7.30	7.25	7.15	7.05	14.0
16.0	6.20	6.20	6.15	6.10	5.90	5.90	5.75	5.75	16.0
18.0	5.15	5.15	5.00	5.00	4.85	4.85	4.70	4.70	18.0
20.0	4.35	4.35	4.20	4.20	4.05	4.05	3.90	3.90	20.0
22.0	3.65	3.65	3.50	3.50	3.35	3.35	3.20	3.20	22.0
24.0	3.15	3.15	3.00	3.00	2.85	2.85	2.70	2.70	24.0
26.0	2.70	2.70	2.55	2.55	2.40	2.40	2.25	2.25	26.0
28.0	2.30	2.30	2.15	2.15	2.00	2.00	1.85	1.80	28.0
30.0	2.00	2.00	1.85	1.80	1.70	1.65	1.50	1.50	30.0
30.9	1.85	1.85	1.70	1.70	1.55	1.50	1.35	1.35	30.9

Unit:ton									
Boom length (m)	37.45								Boom length (m)
Jib length (m)	6		9		12		15		Jib length (m)
Offset angle (deg)	10	30	10	30	10	30	10	30	Offset angle (deg)
Radius (m)									Radius (m)
7.9	15.35	15.25	15.00	14.85	14.65	14.40	14.25	13.90	7.9
8.0	15.35	15.25	15.00	14.85	14.65	14.40	14.25	13.90	8.0
9.0	13.95	13.85	13.80	13.65	13.65	13.45	13.50	13.20	9.0
10.0	12.10	12.00	11.95	11.80	11.80	11.60	11.65	11.40	10.0
12.0	9.40	9.30	9.25	9.15	9.10	8.95	8.95	8.75	12.0
14.0	7.50	7.45	7.35	7.30	7.20	7.15	7.05	6.95	14.0
16.0	6.10	6.10	5.95	5.95	5.80	5.80	5.65	5.65	16.0
18.0	5.05	5.05	4.90	4.90	4.75	4.75	4.60	4.60	18.0
20.0	4.25	4.25	4.10	4.10	3.95	3.95	3.80	3.80	20.0
22.0	3.55	3.55	3.40	3.40	3.25	3.25	3.10	3.10	22.0
24.0	3.05	3.05	2.90	2.90	2.75	2.75	2.60	2.60	24.0
26.0	2.60	2.60	2.45	2.45	2.30	2.30	2.15	2.10	26.0
28.0	2.20	2.20	2.05	2.05	1.90	1.85	1.75	1.70	28.0
30.0	1.85	1.85	1.70	1.70	1.55	1.50	1.40	1.35	30.0
32.0	1.55	1.55	1.40	1.40	1.25	1.25	1.20 / 31.3	1.20 / 31.1	32.0
34.0	1.35 / 33.5	1.35 / 33.5	1.20 / 33.5	1.20 / 33.5	1.20 / 32.5	1.20 / 32.3			34.0

■ Main Boom with Crane Jib



Unit:ton

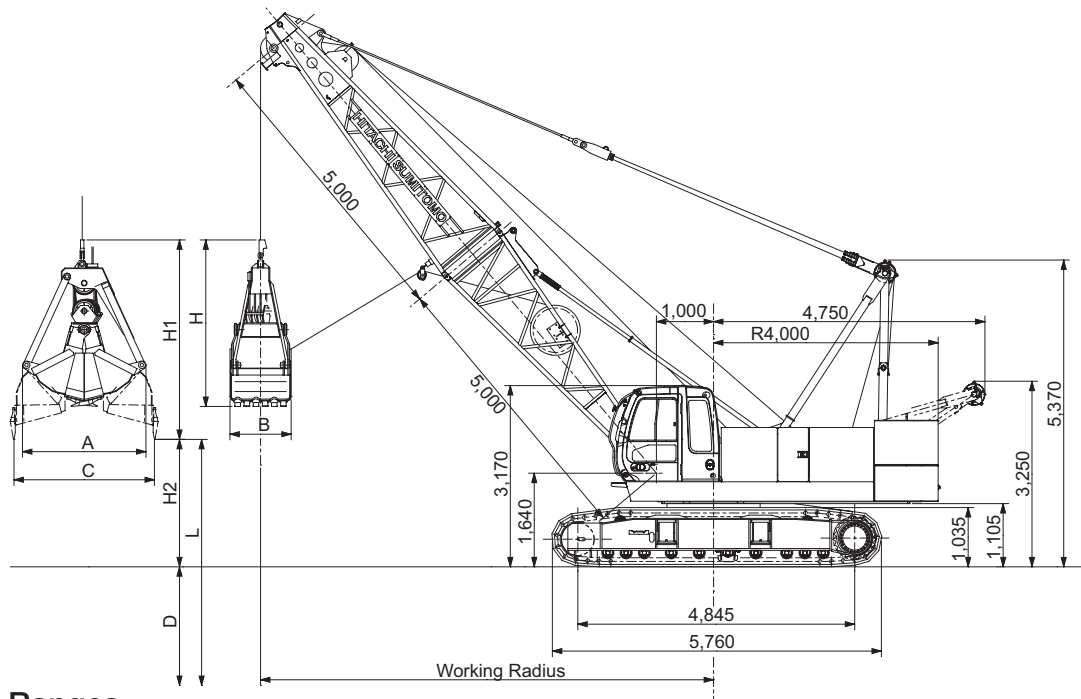
Boom length (m)	40.50								Boom length (m)
Jib length (m)	6		9		12		15		Jib length (m)
Offset angle (deg)	10	30	10	30	10	30	10	30	Offset angle (deg)
Radius (m)									Radius (m)
8.4	13.00	13.00	12.85	12.70	12.50	12.25	12.10	11.75	8.4
9.0	13.00	13.00	12.80	12.65	12.45	12.20	12.05	11.75	9.0
10.0	11.95	11.85	11.80	11.65	11.65	11.45	11.50	11.25	10.0
12.0	9.25	9.20	9.10	9.00	8.95	8.80	8.80	8.60	12.0
14.0	7.40	7.35	7.25	7.20	7.10	7.00	6.95	6.80	14.0
16.0	6.00	6.00	5.85	5.85	5.70	5.70	5.55	5.50	16.0
18.0	4.95	4.95	4.80	4.80	4.65	4.65	4.50	4.50	18.0
20.0	4.15	4.15	4.00	4.00	3.85	3.85	3.70	3.70	20.0
22.0	3.45	3.45	3.30	3.30	3.15	3.15	3.00	3.00	22.0
24.0	2.95	2.95	2.80	2.80	2.65	2.60	2.50	2.45	24.0
26.0	2.50	2.45	2.35	2.30	2.20	2.15	2.00	1.95	26.0
28.0	2.05	2.05	1.90	1.90	1.75	1.70	1.60	1.55	28.0
30.0	1.70	1.70	1.55	1.55	1.40	1.35	1.25	1.20	30.0
32.0	1.40	1.35	1.25	1.20	1.20 / 31.4	1.20 / 31.2	1.20 / 30.3	1.20 / 30.1	32.0
34.0	1.20 / 33.6	1.20 / 33.4	1.20 / 32.5	1.20 / 32.3					34.0

Unit:ton

Boom length (m)	43.55								Boom length (m)
Jib length (m)	6		9		12		15		Jib length (m)
Offset angle (deg)	10	30	10	30	10	30	10	30	Offset angle (deg)
Radius (m)									Radius (m)
9.0	11.30	11.20	10.95	10.80	10.60	10.40	10.25	9.90	9.0
10.0	11.10	11.00	10.80	10.65	10.50	10.30	10.10	9.85	10.0
12.0	9.10	9.05	9.00	8.90	8.85	8.70	8.70	8.50	12.0
14.0	7.30	7.20	7.15	7.05	7.00	6.90	6.85	6.70	14.0
16.0	5.95	5.90	5.80	5.75	5.70	5.55	5.55	5.40	16.0
18.0	4.90	4.85	4.75	4.70	4.60	4.55	4.45	4.40	18.0
20.0	4.10	4.05	3.95	3.95	3.80	3.75	3.65	3.55	20.0
22.0	3.45	3.40	3.30	3.25	3.15	3.05	2.95	2.85	22.0
24.0	2.85	2.80	2.70	2.65	2.55	2.50	2.40	2.30	24.0
26.0	2.35	2.35	2.20	2.15	2.05	2.00	1.90	1.80	26.0
28.0	1.95	1.90	1.80	1.75	1.65	1.60	1.45	1.40	28.0
30.0	1.55	1.55	1.45	1.40	1.25	1.25	1.20 / 29.6	1.20 / 29.3	30.0
32.0	1.25	1.25	1.20 / 31.5	1.20 / 31.4	1.20 / 30.6	1.20 / 30.3			32.0
34.0	1.20 / 32.6	1.20 / 32.4							34.0

Clamshell Specifications

Dimensions and Specifications



Working Ranges

Boom length	m	10.00				13.05				16.10				19.15				
		35	45	55	65	35	45	55	65	35	45	55	65	35	45	55	65	
Working radius	m	9.6	8.5	7.3	5.8	12.1	10.7	9.0	7.1	14.6	12.9	10.7	8.4	17.1	15.0	12.5	9.7	
Allowable gross weight	t	6.0	6.0	6.0	6.0	6.0	6.0	6.0	6.0	6.0	6.0	6.0	6.0	5.8	6.0	6.0	6.0	
Lifting height (w/1.2m ³ bucket) L (D+H2)	m	37.6	38.9	40.1	41.0	39.3	41.1	42.6	43.7	41.0	43.2	45.0	46.4	42.7	45.3	47.5	49.2	
Max. digging depth D	m	36																
Dumping height H2	0.8 m ³ bucket	m	2.0	3.3	4.5	5.4	3.7	5.5	7.0	8.1	5.4	7.6	9.4	10.8	7.1	9.7	11.9	13.6
	1.0 m ³ bucket	m	1.8	3.1	4.3	5.2	3.5	5.3	6.8	7.9	5.2	7.4	9.2	10.6	6.9	9.5	11.7	13.4
	1.2 m ³ bucket	m	1.6	2.9	4.1	5.0	3.3	5.1	6.6	7.7	5.0	7.2	9.0	10.4	6.7	9.3	11.5	13.2

Specifications

Clamshell Specifications		
Bucket capacity	m ³	0.8/1.0/1.2
Allowable gross weight	t	6.0
Boom length	m	10.00 to 19.15
Max. digging depth	m	36
Suspend line speed	m/min	*75
Open/close line speed	m/min	*75
Boom hoist line speed	m/min	*62
Boom lower line speed	m/min	62
Ground contact pressure	kPa (kgf/cm ²)	70.5 (0.72) (w/10m boom + 1.2m ³ bucket)
Operating weight	t	52.6 (w/10m boom + 1.2 m ³ bucket)

NOTE :

- *Line speeds will vary with the load.
- Data is expressed in SI units, followed by conventional units in ().
- Other specifications, not shown are similar to those for the cranes.

Clamshell Bucket

Capacity (m ³)	Weight (t)	A (mm)	B (mm)	C (mm)	H (mm)	H1 (mm)	Use
0.8	2.00	1,880	970	2,230	2,270	2,980	Excavation
1.0	2.45	2,020	1,070	2,430	2,430	3,150	Excavation
1.2	3.10	2,020	1,070	2,430	2,430	3,150	Excavation
1.2	2.40	2,000	1,160	2,650	2,600	3,240	Light Service

Gross Rated Load Table

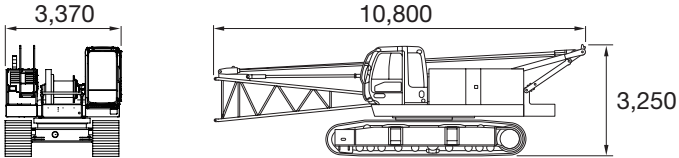
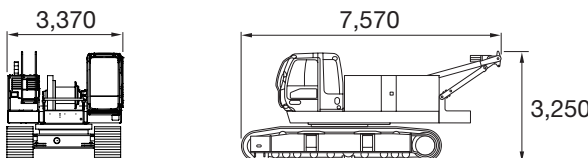
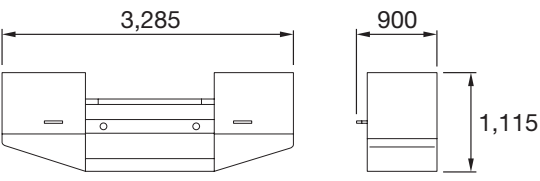
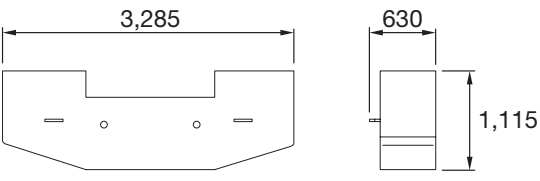
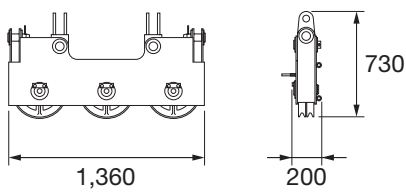
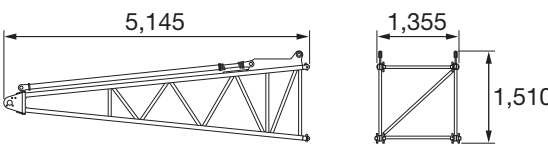
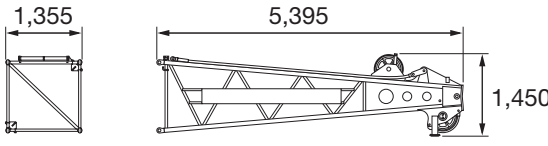
Unit:ton

Working radius (m)	Boom length (m)			
	10.00	13.05	16.10	19.15
5.8	6.00			
6.0	6.00			
6.5	6.00			
7.0	6.00	6.00/7.1		
7.5	6.00	6.00		
8.0	6.00	6.00	6.00/8.4	
9.0	6.00	6.00	6.00	6.00/9.7
10.0	6.00/9.6	6.00	6.00	6.00
12.0		6.00	6.00	6.00
14.0		6.00/12.1	6.00	6.00
16.0			6.00/14.6	6.00
17.1				5.80

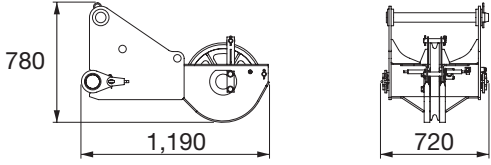
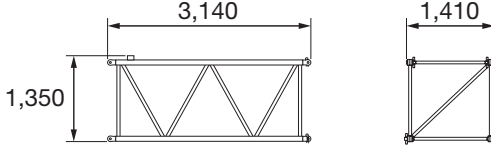
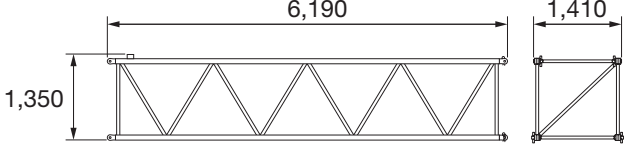
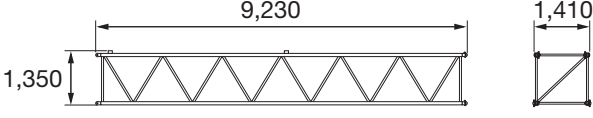
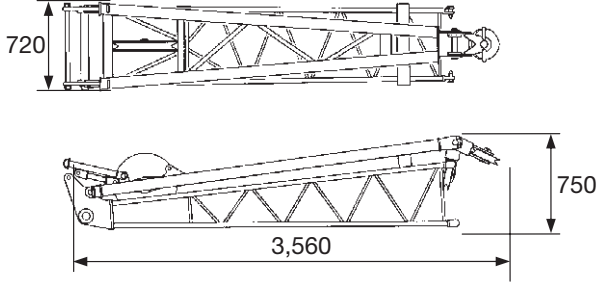
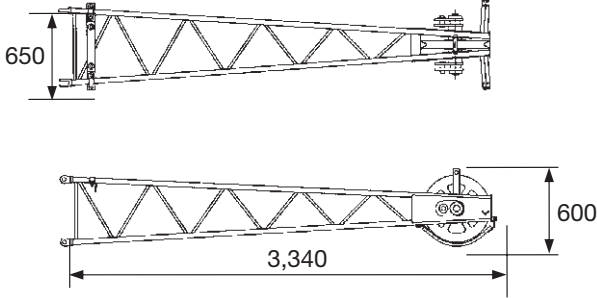
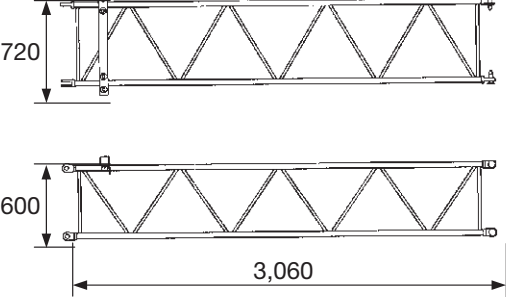
- Working radius is the horizontal distance from the swing center to the gravity of lifted load.
- The rated loads for clamshell do not exceed 70% of tipping load.
- The rated loads shown are upper limits determined by the following equation. Please select a bucket in such a manner that its rated load does not exceed the rated load shown below, according to kinds of the loads handled.
Rated load = Bucket capacity (m³) x Specific gravity of load (t/m³) + Bucket weight (t)
- Even if using different capacity of the bucket according to kinds of load, don't exceed the rated load.
- The counterweight is 17.0 t.
- Figures described as ○○ / ○○ in the tables indicate rated load (t) / working radius (m).

Weights and Dimensions of Disassembled Units

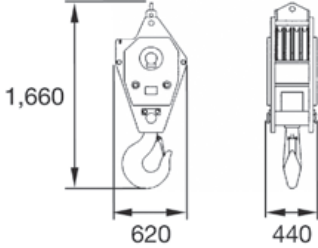
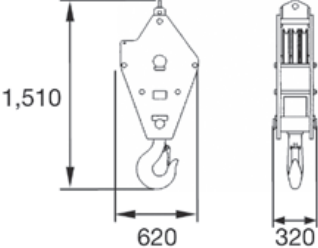
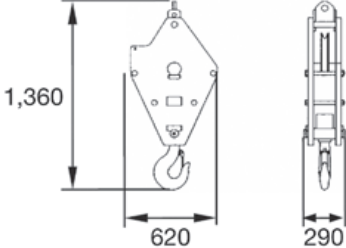
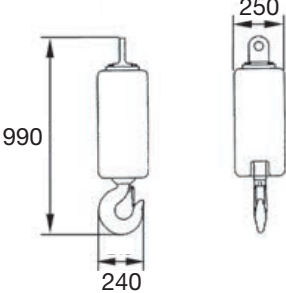
Weights and Dimensions List

Description	Q'ty	Dimensions (mm)	Mass (kg)
BASIC MACHINE with • Boom base • Wire rope (Boom hoist/Front)	1		31,400
BASIC MACHINE with • Wire rope (Boom hoist/Front)	1		30,300
Counter weight (Upper)	1		8,600
Counter weight (Lower)	1		8,400
Upper spreader	1		240
Boom base with • Connect pin • Boom back stop	1 4 2		850
Boom top with • Pendant rope	1 2		930

Weights and Dimensions of Disassembled Units

Description	Q'ty	Dimensions (mm)	Mass (kg)
Aux. sheave • Connect pin	1 1		185
3.05 m boom insert with • Connect pin (w/o pendant rope)	1 4		205
6.10 m boom insert with • Connect pin (w/o pendant rope)	1 4		345
9.15 m boom insert with • Connect pin (w/o pendant rope)	1 4		500
Jib base • Foot pin • Connect pin • Jib strut • Connect pin	1 1 4 1 2		340
Jib Top	1		155
3 m Jib Insert • Connect pin	1 4		80

Weights and Dimensions of Disassembled Units

Description	Q'ty	Dimensions (mm)	Mass (kg)
55 t hook	1		700
30 t hook	1		360
15 t hook	1		320
6.5 t hook	1		180

Note: When transporting the machine on public roads with a trailer, refer to all local regulations for details.

Equipment List

Standard and Optional Equipment

○ : Standard ● : Optional

Item		Lift Crane	Notes	
Basic Items	Winch with Free Mechanism	○	Front and Rear Winch	
	Brake Pedals for Front and Rear Winch	○		
	Crawler Extend / Retract Device	○		
	Working Light (x 2)	○		
	Back Mirror (Left and right)	○		
	Wiper with Washer (Front window)	○		
	Room Lamp	○		
	Cigar Lighter Socket (24 V)	○		
	Ashtray	○		
	Cup Holder	○		
	AM / FM Radio	○		
	Air Conditioner	○	Full Automatic	
	Accelerator Lever	○		
	Accelerator Pedal (Right side)	○		
	Hydraulic Pump Flow Rate Select Switch	○	Max. or Min. Rate	
	Electric Fuel Pump	●		
	Travel Operation Pedal	●		
	Under Cover	●	Left Side	
	Clear Roof Cover	●	Smoke Tinted	
	Counterweight Lifting Wire Rope	●		
	3.05 m Boom Insert	●		
	6.10 m Boom Insert	●		
	9.15 m Boom Insert	●		
	9.15 m Boom Insert for crane jib	●		
	Parts Set for 6 m Crane Jib (6 m Basic jib, Anti-tow block, Jib strut)	●		
	3 m Crane Jib Insert	●		
	Parts Set for Auxiliary Sheave (Auxiliary sheave, Auxiliary sheave anti-two block)	●		
	55 t Hook (5 sheaves)	●		
	30 t Hook (3 sheaves)	●		
	15 t Hook (1 sheave)	●		
6.5 t Hook	●			
Rear Winch Wire Rope	●			
Spring Type Tagline	●			
Meters & Lamps	Coolant Temp.Gauge	○		
	Fuel Gauge	○		
	Hourmeter	○		
	Swing Brake Indicator	○		
	Alternator Indicator	○		
	Engine Oil Pressure Indicator	○		
	Air Filter Restriction Indicator	○		
	Overheat Indicator	○		
	Preheat Indicator	○		
Safety	Moment Limiter	○		
	Anti-Two Block	○		
	Boom Hoist Limiting Device	○		
	Secondary Boom Over Hoist Prevent Device	○		
	Swing & Travel Alarm	●		
	3 Color Percentage Indicator	●		
	Drum Lock	Front Winch	●	
		Rear Winch	●	
		Boom Hoist Winch	○	Automatic
	Swing Lock	○	Lock Pin for Transport	
Gate Lock Lever	○			
Auto Stop Override Select Key Switch	○			
Auto Stop Override Switch	○			

- We are constantly improving our products and therefore reserve the right to change designs and specifications without notice.
- Units in this specification are shown under International System of Units; the figures in parenthesis are under Gravitational System of Units as old one.

Hitachi Sumitomo Heavy Industries Construction Crane Co.,Ltd.

9-3, Higashi-Ueno 6-chome, Taito-ku, Tokyo 110-0015, Japan
Phone: 81-3-3845-1387 Facsimile: 81-3-3845-1394

<http://www.hsc-crane.com>